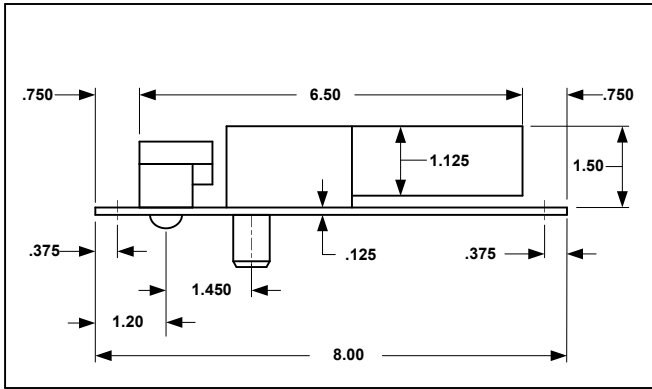


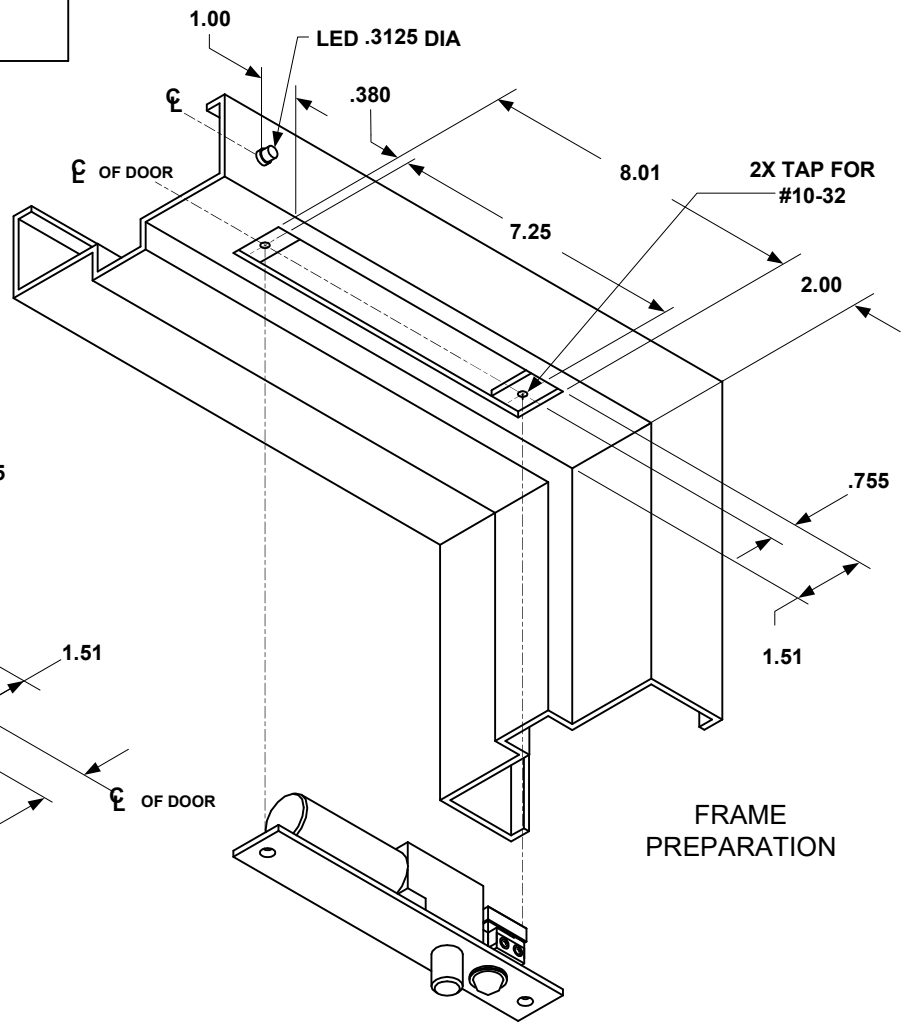
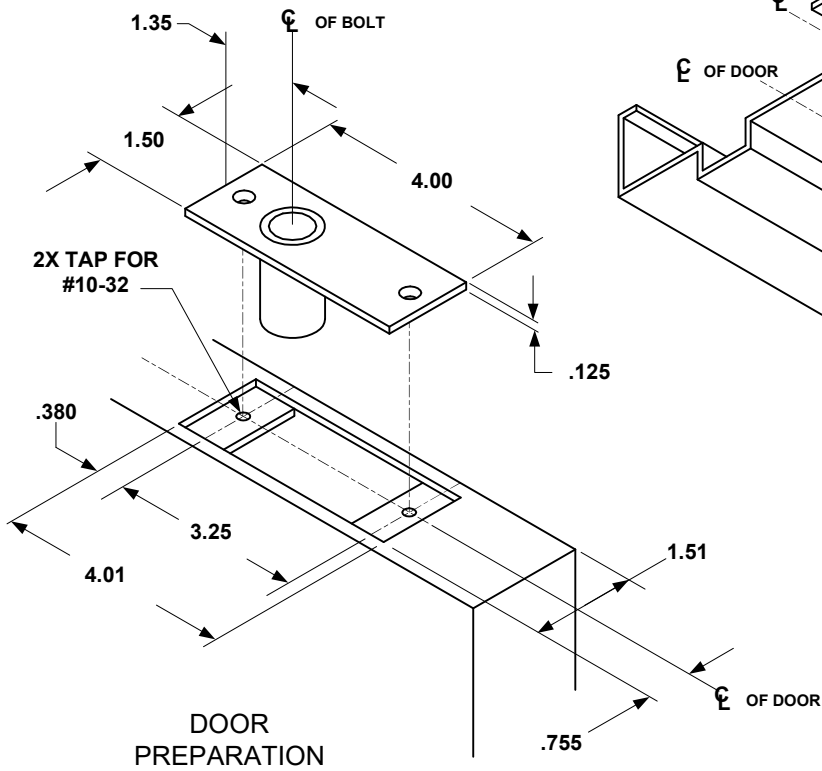


INSTALLATION INSTRUCTIONS

FS23M TEMPLATE



NOTE: TEMPLATE DIMENSIONS ARE SUBJECT TO CHANGE WITHOUT NOTICE



TECHNICAL DATA

- FACE PLATE:** 8" x 1-1/2" x 1/8" (203.2mm x 38.1mm x 3.175mm)
- STRIKE:** 4" x 1-1/2" x 1/8" x 1-9/16" (101.6mm x 38.1mm x 3.175mm x 39.688mm)
- ID REQUIREMENTS:** 8" x 1-1/2" x 1-1/2" (203.2mm x 38.1mm x 38.1mm)
- BOLT:** 5/8" (15.875mm) DIA. NYLON WITH MAGNET INSERT
- BOLT THROW:** 5/8" (15.875mm)
- PR-1000 MODULE:** 3-3/4" x 1-1/4" x 1/2" (Required when mounted in frame.)

Any suggestions or comments to this instruction or product are welcome. Please contact us through our website or email engineer@sdsecurity.com