



**ZY7500 HITOWER PRO SERIES**  
**METAL DOOR, LOCK & TRIM PREP.**  
 FLAT OR BEVELED, HOLLOW METAL DOORS  
 Escutcheon Trim Models: EE, GE, NE & 07E  
 Narrow Actuator Models: D, E & F  
**DIMENSIONAL REFERENCE ONLY**

		OUTSIDE			INSIDE		
FUNCTION	LEVER HOLE	CYLINDER HOLE	THUMBTURN	LEVER	CYLINDER HOLE	THUMBTURN HOLE	
**	ZY7530	●	●		●	●	
	ZY7550	●	●		●		
**	ZY7560	●	●		●		
	ZY7570	●	●		●		

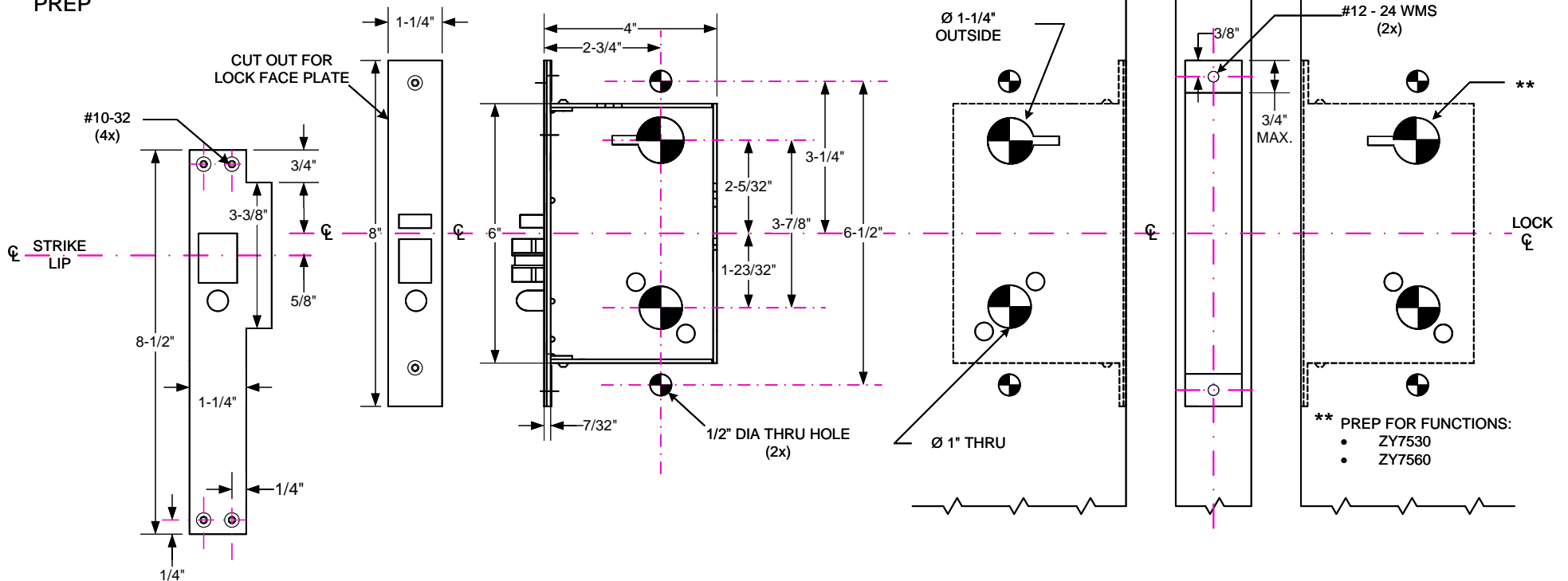
**LOCK DETAIL**

COMMON CENTER LINE  
 LOCK, STRIKE, DOOR

**DOOR DETAIL**

MEASURE BACKSET  
 FROM  $\varnothing$  DOOR EDGE

SEE Pg. 3 FOR FRAME  
 PREP





## ZY7500 HITOWER PRO SERIES WOOD DOOR, LOCK & TRIM PREP.

FLAT OR BEVELED, WOOD DOORS  
Escutcheon Trim Models: EE, GE, NE & 07E  
Narrow Actuator Models: D, E & F

### DIMENSIONAL REFERENCE ONLY

		OUTSIDE			INSIDE		
FUNCTION	LEVER HOLE	CYLINDER HOLE	THUMBTURN	LEVER	CYLINDER HOLE	THUMBTURN HOLE	
**	ZY7530	●	●		●	●	
	ZY7550	●	●		●		
**	ZY7560	●	●		●		
	ZY7570	●	●		●		

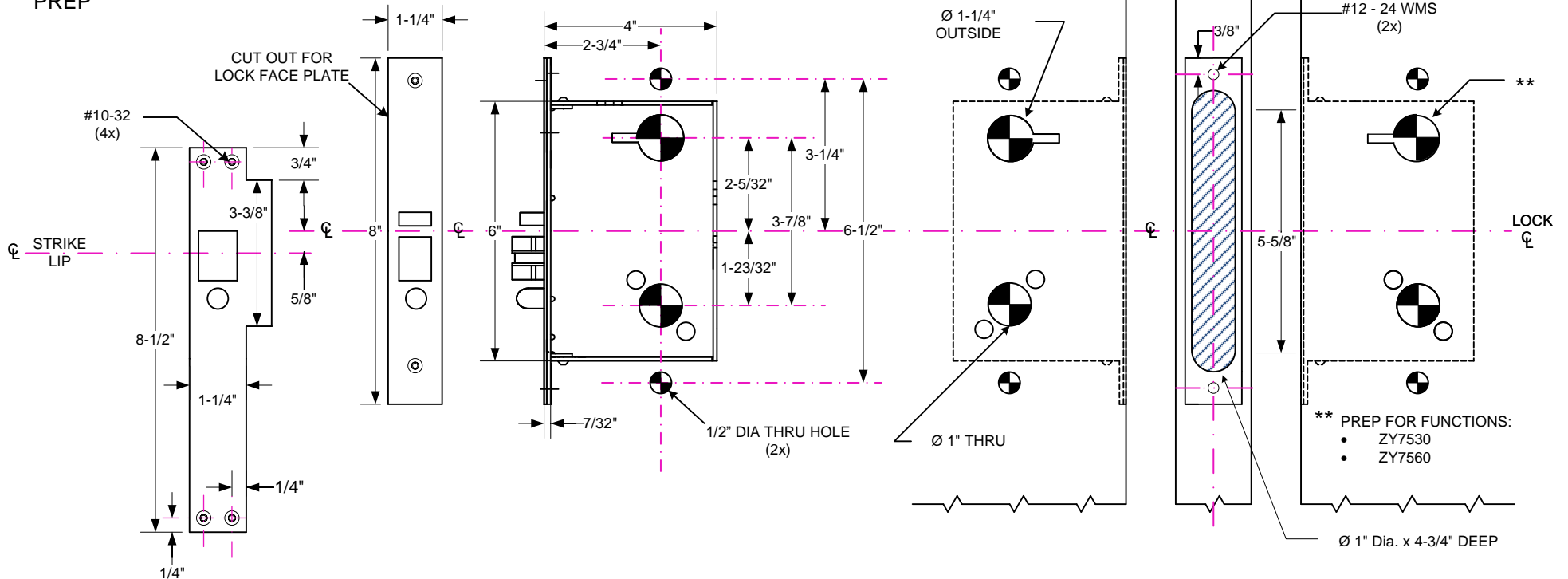
### LOCK DETAIL

COMMON CENTER LINE  
LOCK, STRIKE, DOOR

### DOOR DETAIL

MEASURE BACKSET  
FROM  $\varnothing$  DOOR EDGE

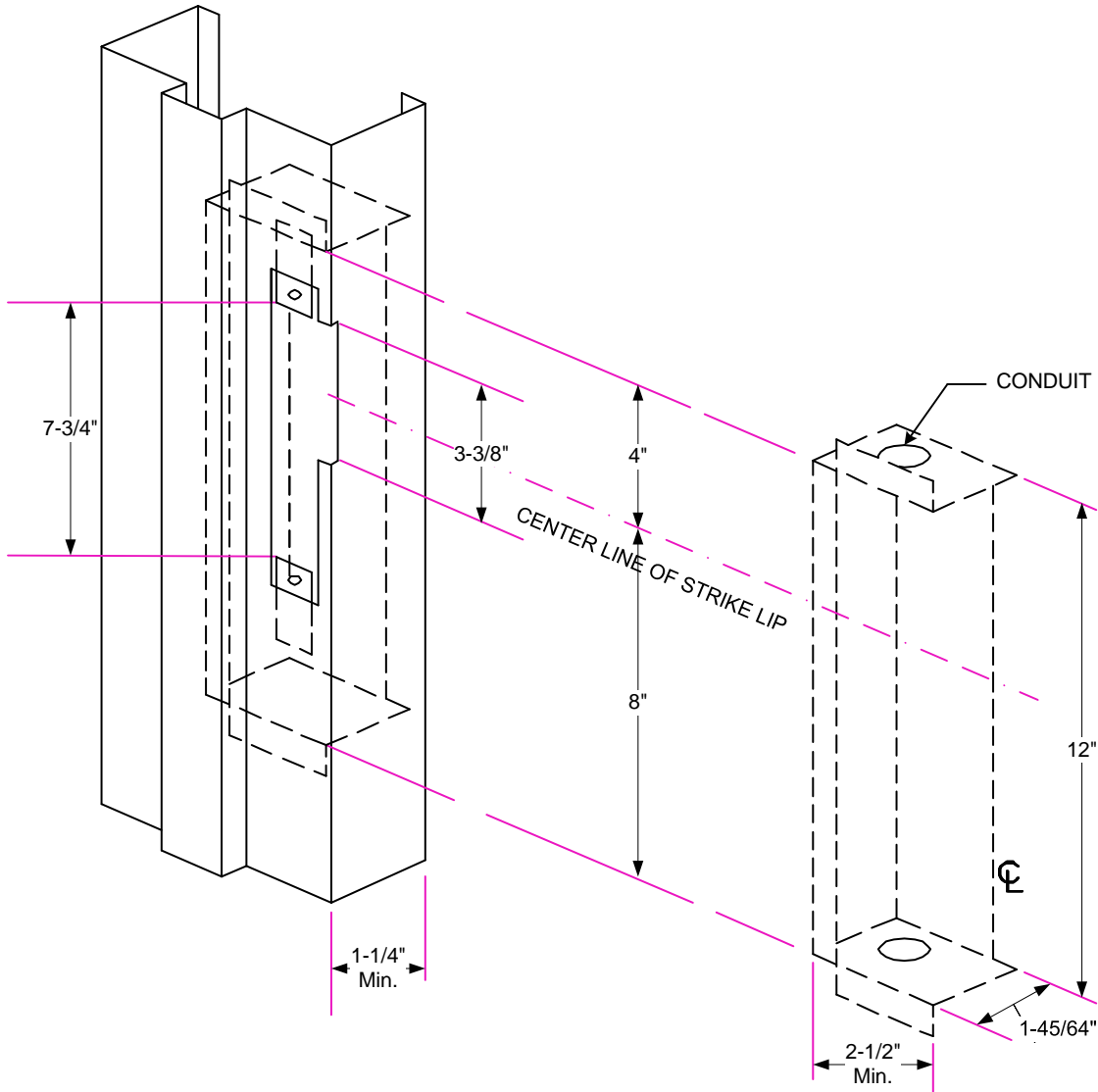
SEE Pg. 3 FOR FRAME  
PREP





# ZY7500 HiTOWER PRO SERIES 1-1/4" ~ 1-3/4" METAL FRAME ACTUATOR PREP For Actuator Models: D, E & F

## DIMENSIONAL REFERENCE ONLY



ELECTRICAL BOX BY FRAME MFG'R

**NOTE:**

- CONCRETE / MASONRY DETAIL SHOWN.
- FOR STRIKE RELATION TO LOCK SEE IMAGE TO THE RIGHT.
- MINIMUM FRAME FACE 1-1/4".

**IMPORTANT**

Details show space requirements for electric controller box. Allowances for different wall construction materials must be taken into consideration. Install conduit connectors in top of box before welding to frame.

**NOTE:**

THE 7-3/4" CLEARANCE BETWEEN THE STRIKE REINFORCEMENT TABS IS CRITICAL \*MAXIMUM THICKNESS OF TABS 1/8"

UL LISTED BOX SHOWN ABOVE IS AVAILABLE FROM SECURITY DOOR CONTROLS. PART #: 7500EB-S

