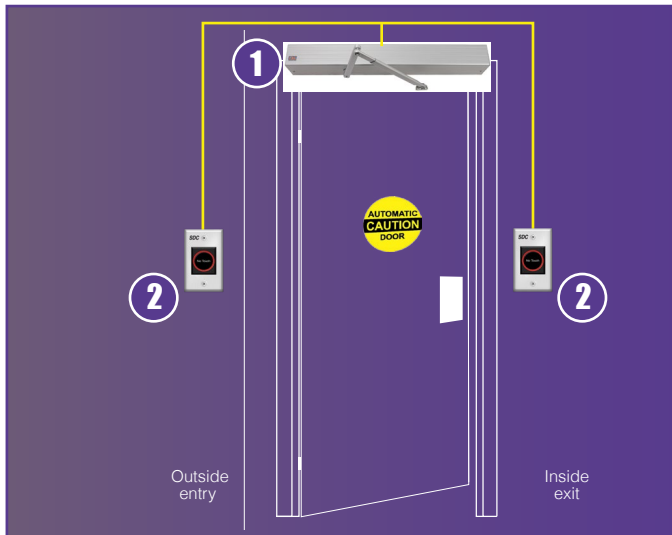


Hands Free Door Solution™

Bathroom Application



SDC's Hands Free Door Solution™ for Bathrooms is a simple, straightforward and common-sense answer to meeting the need for health and safety. No need to ever touch a bathroom door again **on the way in or out** of a bathroom. A wave of the hand in front of the **474 Touchless Switch** activates the **Auto EntryControl™ Low Energy Swing Door Operator** for entry or egress.

1 AUTO ENTRYCONTROL™

AUTOS336V Low Energy Swing Door Operator



- Easy, One-Man Installation
- Single Button, Self-Tuning Setup
- Built-in 1 Amp Power Supply
- On-board Lock Sequencing
- Hold Open Feature

2 NO TOUCH WAVE-TO-OPEN SWITCH

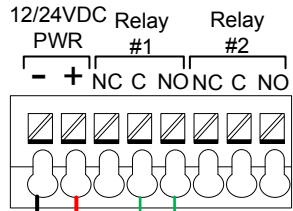


474 Touchless Switch

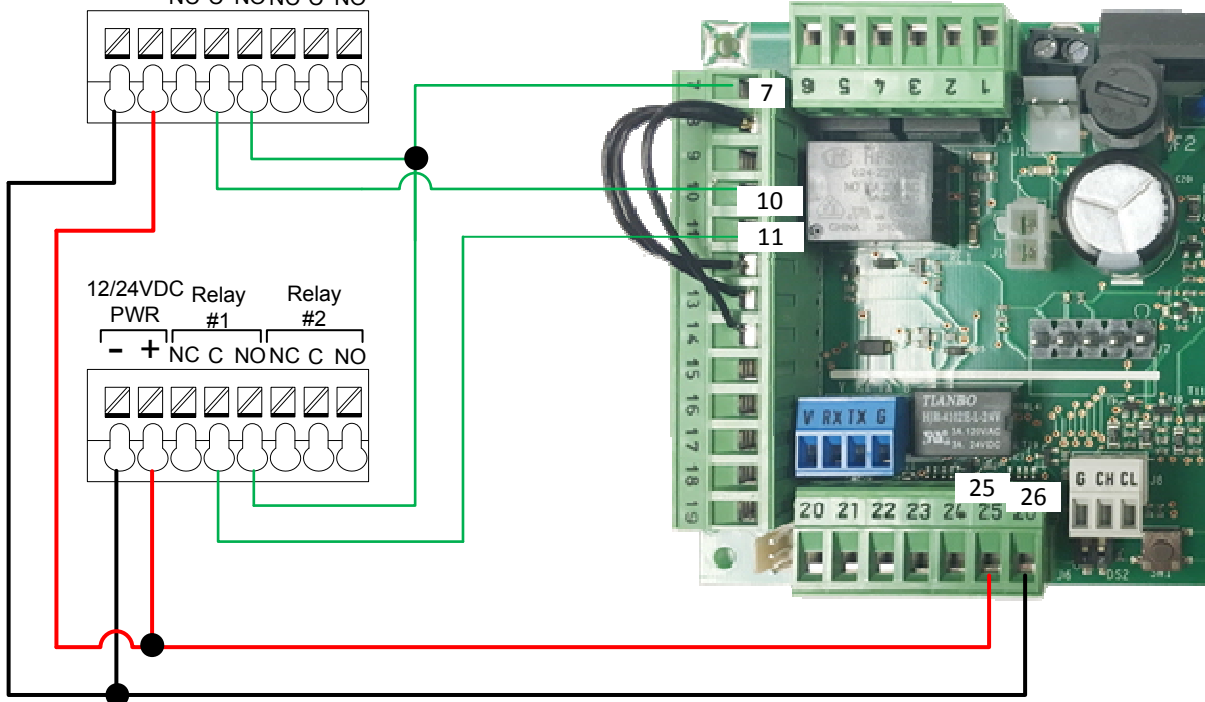
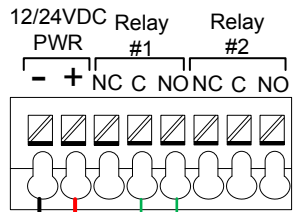
- WAVE-TO-OPEN
- IR Sensing Technology
- Wave Activation Up to 5"
- Illuminated Dual LED Sensor (RED/GREEN)

* Even with National ANSI and ADA Standards, Building Code Enforcement relating to Automatic Doors and Switch Placement varies across the country. Consult your local Authority Having Jurisdiction (AHJ) for compliance requirements.

474
Touchless Switch
Terminal Block
(Inside)



474
Touchless Switch
Terminal Block
(Outside)

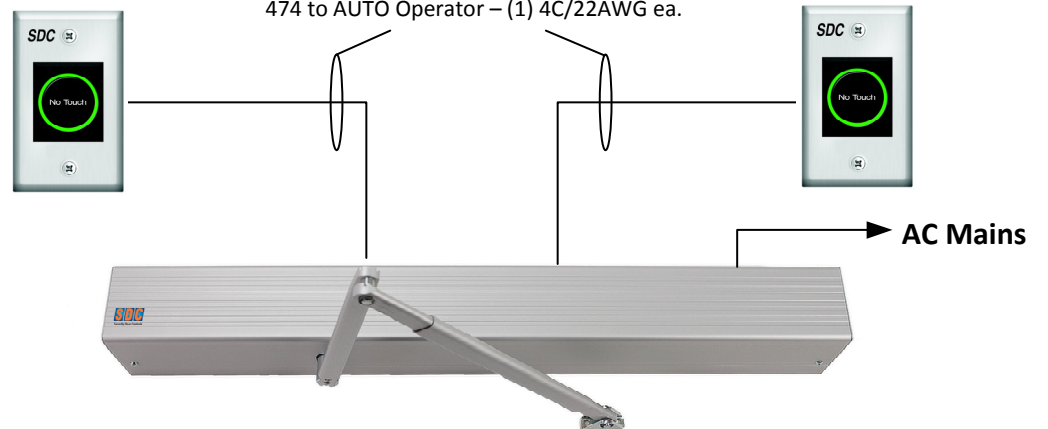


AUTO EntryControl™
I/O Board

GENERAL NOTES:

- (1) ALL WIRING MUST BE REVIEWED AND APPROVED BY THE PROJECT ENGINEER ASSIGNED TO THE LOCATION FOR ITS CORRECTNESS AND SUITABILITY FOR THE APPLICATION IN WHICH THE EQUIPMENT IS INSTALLED AND OPERATED.
- (2) ALL WIRING MUST CONFORM TO NATIONAL, STATE, AND LOCAL CODES FOR CLASS 2 FIRE PROTECTION AND CONTROL DEVICES.
- (3) ALWAYS CONSULT WITH THE AUTHORITY HAVING JURISDICTION (AHJ) BEFORE INSTALLATION.
- (4) WHERE REQUIRED BY CODE, CONNECT FAILSAFE SYSTEMS TO THE LOCAL FIRE LIFE SAFETY SYSTEM FOR EMERGENCY RELEASE.
- (5) ALL LOW VOLTAGE SIGNAL WIRING SHALL BE 22-GAUGE MINIMUM. THE MINIMUM INDUCTIVE LOAD (LOCK) POWER WIRE GAUGE SHALL BE DETERMINED PER THE SDC WIRE GAUGE CHART. ALL WIRING (SINGLE OR MULTI-CONDUCTOR) SHALL BE COLOR CODED WITHOUT SPLICES. A MINIMUM OF TWO SPARE CONDUCTORS IS RECOMMENDED.
- (6) VOLTAGE MAY NOT BE SPECIFIED ON THIS WIRE DIAGRAM. BE SURE ALL PRODUCTS ARE VOLTAGE COMPATIBLE.

Recommended Wiring:
474 to AUTO Operator – (1) 4C/22AWG ea.



© 2020 Security Door Controls Printed in U.S.A