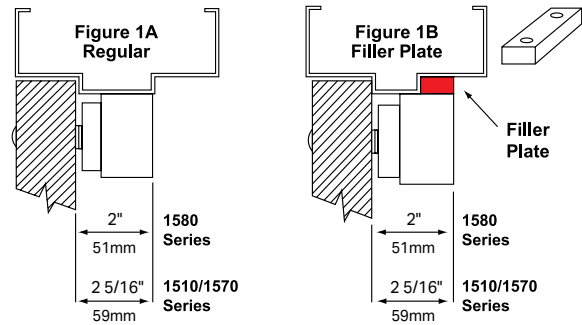


# MOUNTING KITS & HARDWARE



## FILLER PLATES

For extension of the stop to provide a proper mounting surface on the underside of the header. See figure 1B. SDC filler plates are aluminum 628 finish. Consult factory for special finishes.



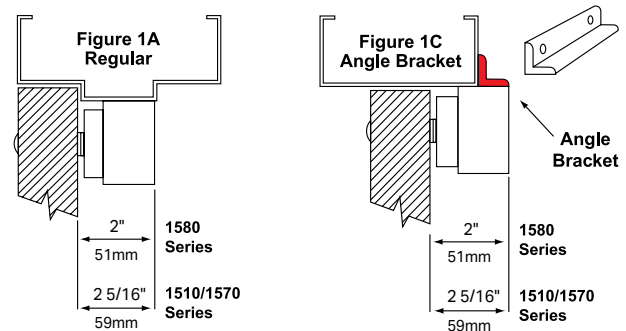
### COMPATIBLE DELAYED EGRESS LOCKS

	Dimensions	1511S	1511T	1581S
<b>FP11V</b>	1/8" x 1 1/4" x 11"	Yes	Yes	Yes
<b>FP12V</b>	1/4" x 1 1/4" x 11"	Yes	Yes	Yes
<b>FP13V</b>	3/8" x 1 1/4" x 11"	Yes	Yes	Yes
<b>FP14V</b>	1/2" x 1 1/4" x 11"	Yes	Yes	Yes
<b>FP15V</b>	5/8" x 1 1/4" x 11"	Yes	Yes	Yes



## ANGLE BRACKETS

Used as extension on shallow door frames to provide adequate mounting surface. See figure 1C. SDC angle brackets are aluminum 628 finish. Consult factory for special finishes.



### COMPATIBLE DELAYED EGRESS LOCKS

	Dimensions	1511S	1511T	1581S
<b>AB11V</b>	1" x 1" x 11"	Yes	Yes	Yes
<b>AB12V</b>	1" x 1 1/2" x 11"	Yes	Yes	Yes
<b>AB13V</b>	1 1/2" x 1 1/2" x 11"	Yes	Yes	Yes
<b>AB14V</b>	2" x 1 1/2" x 11"	Yes	Yes	Yes