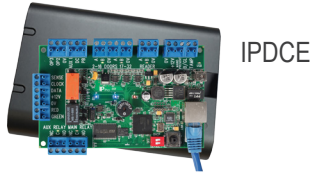


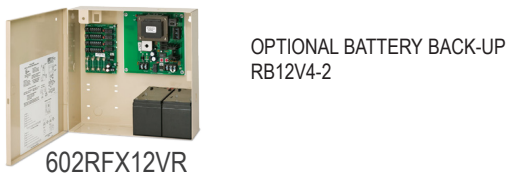
IP Pro™ Access Control Solution

Single Door Magnetic Lock Application

1 Access Control IP Controller



2 Power Supply LISTED 12 and 24VDC Output



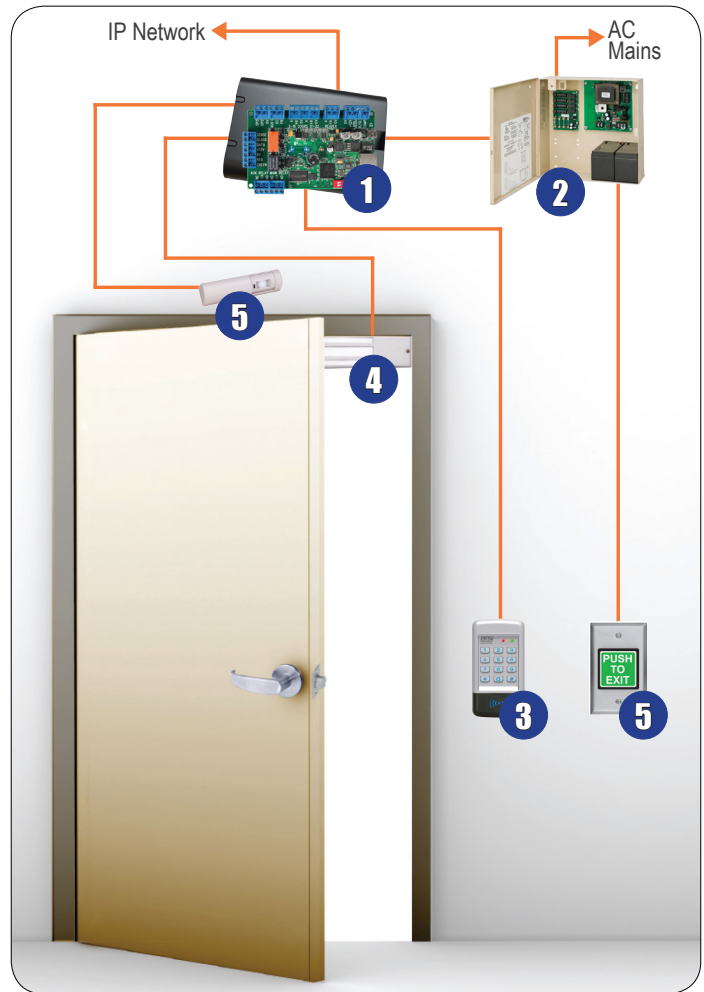
3 Wiegand Reader Options (Choose one): Prox Reader or Keypad-Prox Combo



4 Electro-Magnetic Lock LISTED (Choose one): 1200lbs Holding Force



5 Request-To-Exit LISTED* (Choose one or more): Push Button & Motion Release



SYSTEM OPERATION

Door is normally closed and secured by an electromagnetic lock.

Authorized Access: Presenting a valid card/fob or entering a valid user code on the keypad will momentarily unlock the door for access. The unlock time will be configured by the access control programming. The door may also be programmed for maintained access.

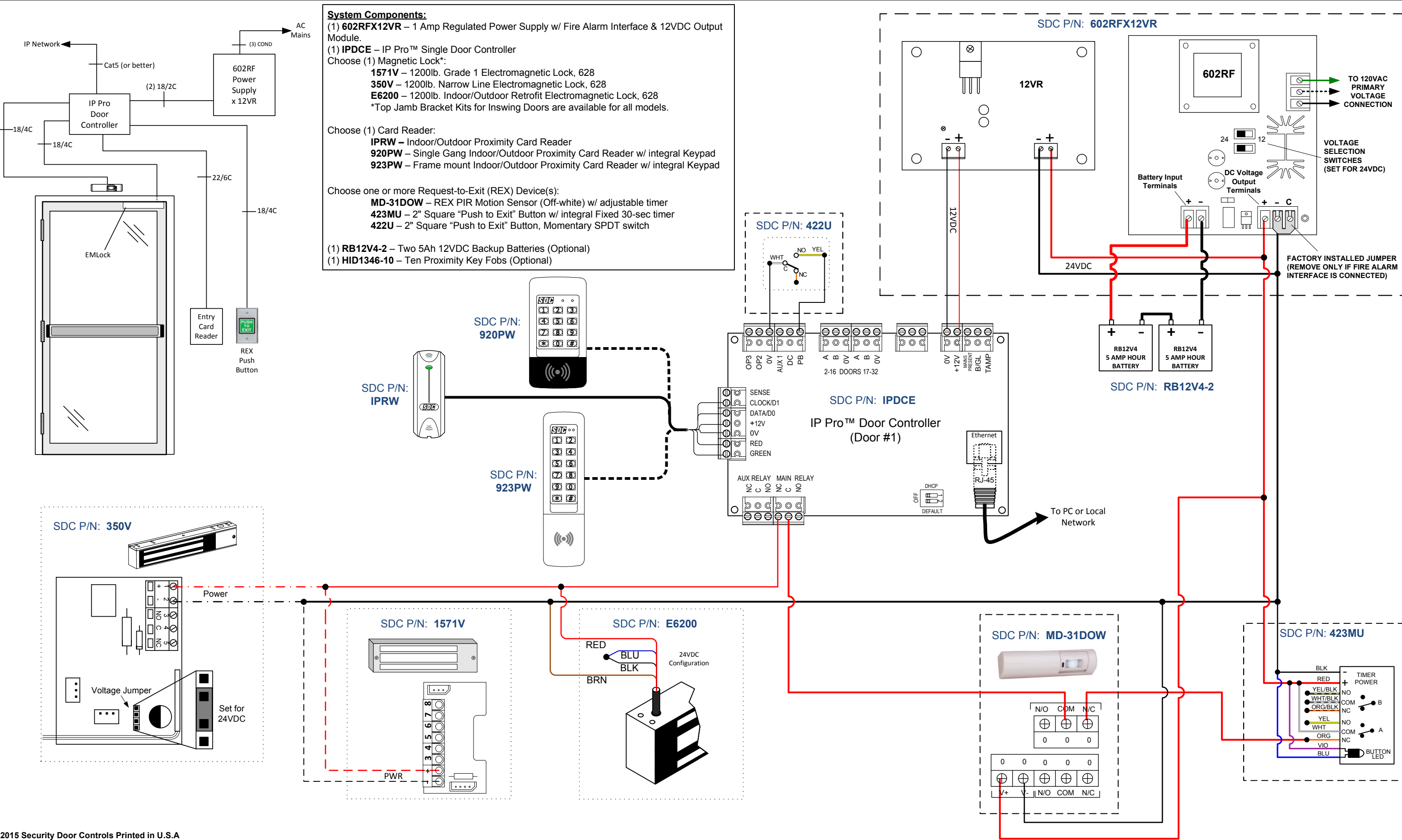
Authorized Egress: Activating the Request-to-Exit (REX) motion sensor will unlock the magnetic lock allowing the door to be opened. The unlock time will be configured by the access control programming.

Fire & Life Safety: A signal from the Fire Alarm Panel will immediately unlock the magnetic lock.

Manual Release Override: Pressing the code-compliant "Push to Exit" button will bypass the keypad and motion sensor, unlocking the door for a fixed 30 seconds.

Low Voltage: System is powered by a regulated & filtered power supply with 12VDC output for access control equipment and 24VDC output for locking hardware to maximize efficacy. Loss of power will result in unsecured door, unless equipped with optional battery back-up.

IP-based Access Control: User-friendly programming interface via a built-in web server, accessible from any networked PC.



System Components:
 (1) 602RFX12VR – 1 Amp Regulated Power Supply w/ Fire Alarm Interface & 12VDC Output Module.
 (1) IPDCE – IP Pro™ Single Door Controller
 Choose (1) Magnetic Lock*:
 1571V – 1200lb. Grade 1 Electromagnetic Lock, 628
 350V – 1200lb. Narrow Line Electromagnetic Lock, 628
 E6200 – 1200lb. Indoor/Outdoor Retrofit Electromagnetic Lock, 628
 *Top Jamb Bracket Kits for Inswing Doors are available for all models.
 Choose (1) Card Reader:
 IPRW – Indoor/Outdoor Proximity Card Reader
 920PW – Single Gang Indoor/Outdoor Proximity Card Reader w/ integral Keypad
 923PW – Frame mount Indoor/Outdoor Proximity Card Reader w/ integral Keypad
 Choose one or more Request-to-Exit (REX) Device(s):
 MD-31DOW – REX PIR Motion Sensor (Off-white) w/ adjustable timer
 423MU – 2" Square "Push to Exit" Button w/ integral Fixed 30-sec timer
 422U – 2" Square "Push to Exit" Button, Momentary SPDT switch
 (1) RB12V4-2 – Two 5Ah 12VDC Backup Batteries (Optional)
 (1) HID1346-10 – Ten Proximity Key Fobs (Optional)