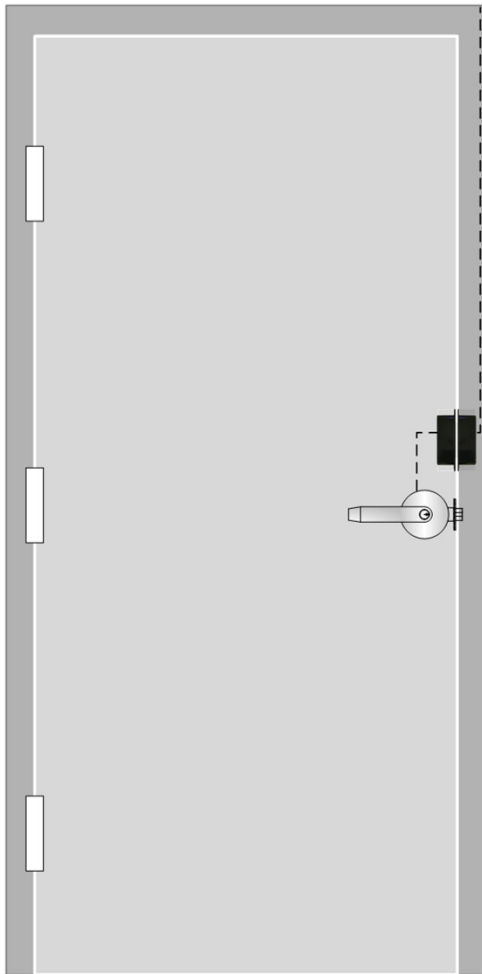




INSTALLATION INSTRUCTIONS

WPT Wireless Power Transfer



Technical Specifications:

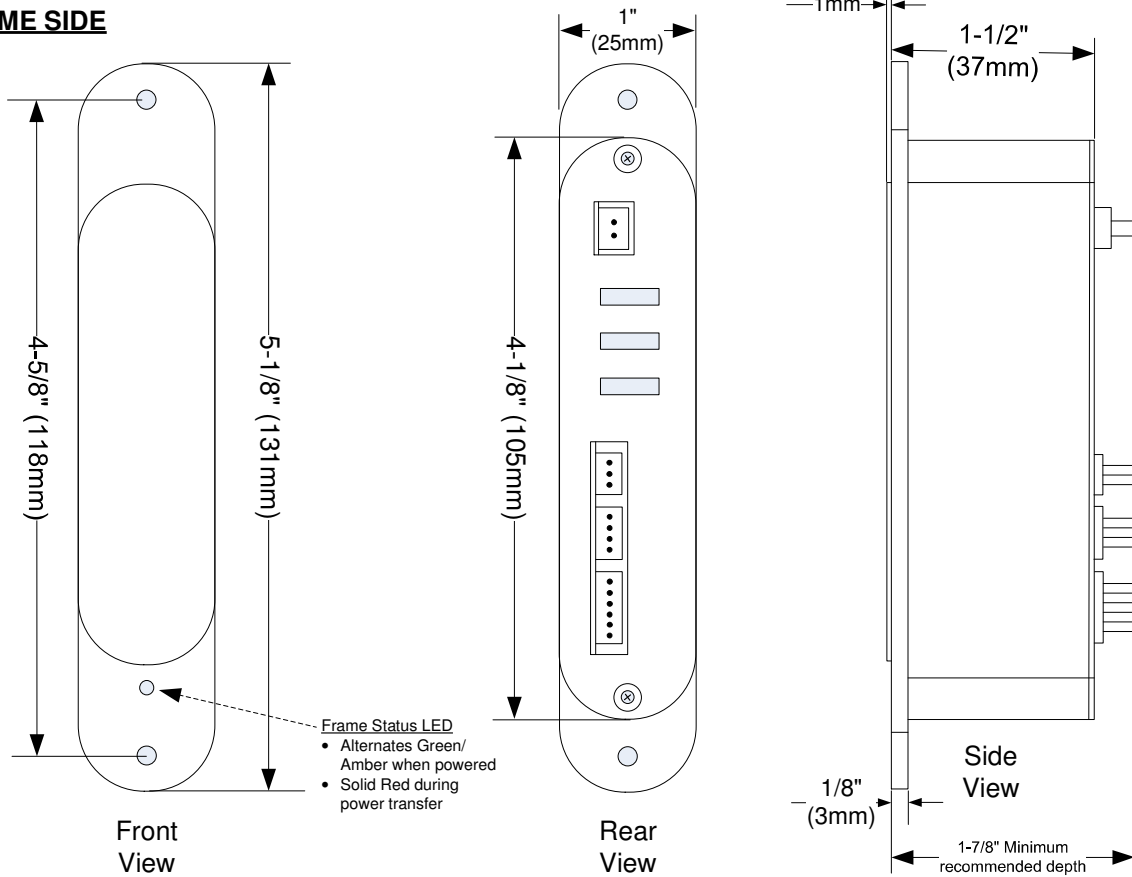
Note – For Use with Fail-Secure (Power to Unlock) Locks Only

Input Power (Frame Side):	600mA @ 24VDC
Output Power (Door Side):	600mA/300mA @ 12/24VDC {Field Selectable}
Maximum Door Gap:	1/4" (~7mm)
Maximum Tolerance with 3/16" (5mm) Gap:	Horizontal < 5/64" (2mm) Vertical < 5/64" (2mm)
Dry Inputs (Frame Side):	(2) Door Unlock Trigger (Timed) 1. 4 Second Fixed 2. 1-90 Seconds Manual
Dry Inputs (Door Side)	(2) Relay Activation for REX, Latch Status, etc.
Dry Outputs (Frame Side):	(2) SPDT Relay, 1A @ 30VDC (2) Solid State Relay, N/O 100mA @ 60VDC
LED Indicators:	Frame & Door Side
Operating Temperature:	-4°F – 140°F (-20°C – 60°C)
Compliance:	UL1034; UL10C for 3 Hours, FCC Part 15

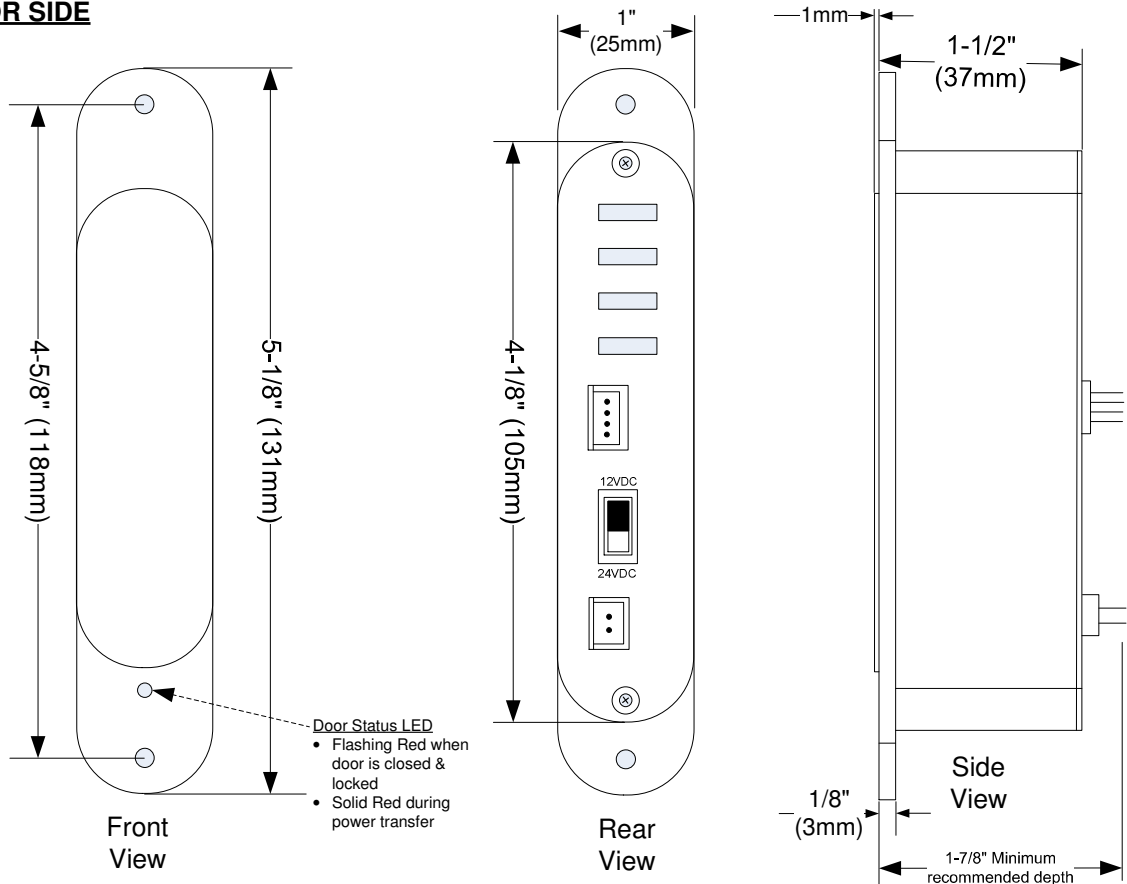
Any suggestions or comments to this instruction or product are welcome. Please contact us through our website or email engineer@sdsecurity.com

WPT Dimensions

FRAME SIDE



DOOR SIDE



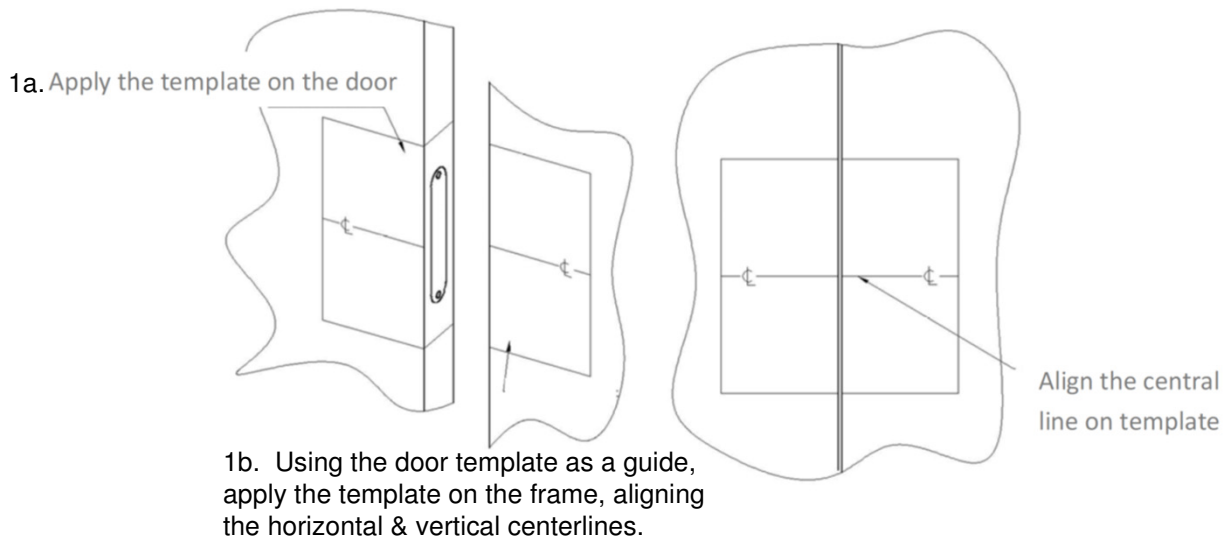
WPT Installation & Wiring

Package Contents:

- Door Side Unit
- Frame Side Unit
- Door Template
- Frame Template
- 4" Wire Harnesses
 - > (2) 2-wire
 - > (1) 3-wire
 - > (2) 4-wire
 - > (1) 6-wire
- Wood Screws
- Metal Screws
- Mounting Tabs

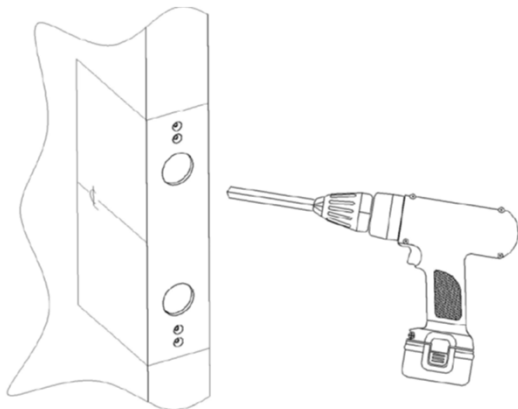
Note: Optimal performance of the WPT will depend on minimizing the door gap, and using the supplied templates. Although the WPT allows for some horizontal and vertical misalignment, these tolerances will decrease as the door gap increases.

1. Inspect the door & frame, and apply the templates at the desired location. The WPT may be installed on the latch side, hinge side, or top of the door.

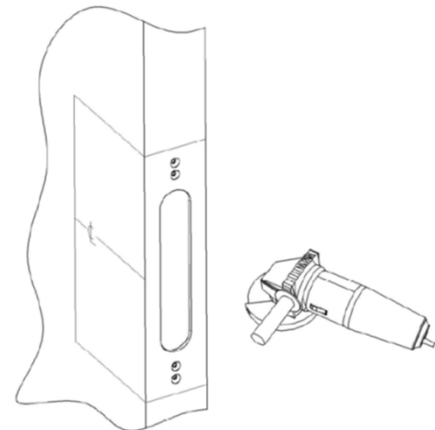


2. For metal door installations:

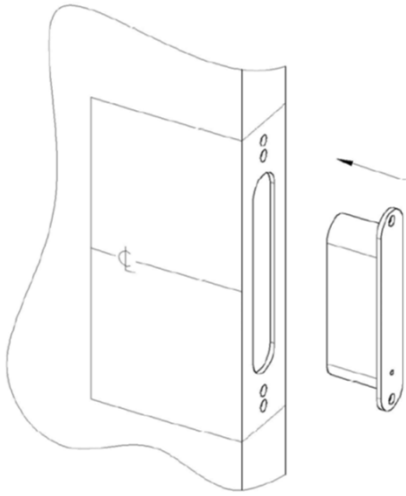
2a. Center punch the tab-mounting screw locations and counter-sink for M3 screw.



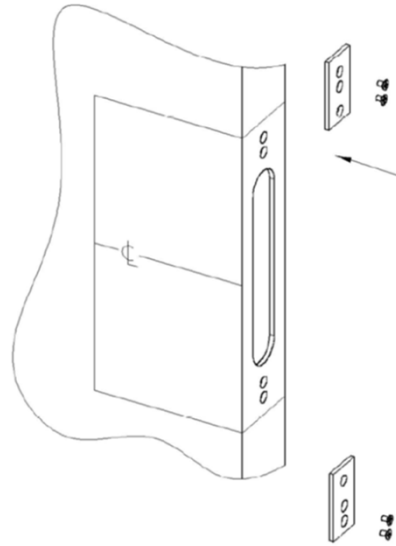
2b. Saw or rout out the entire main pocket.



2c. Verify that the WPT face fits in the cutout, and file as necessary.

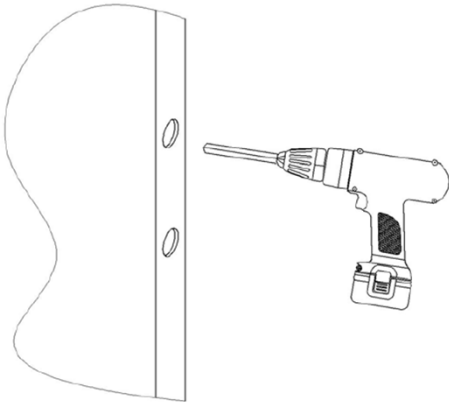


2d. Install mounting tabs using M3 screws

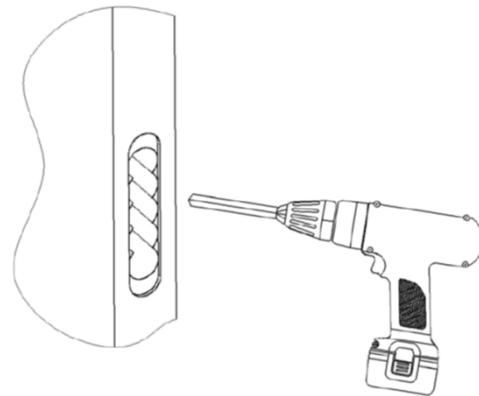


3. For wood door installations, use the recommended wood door jig, or follow the steps below:

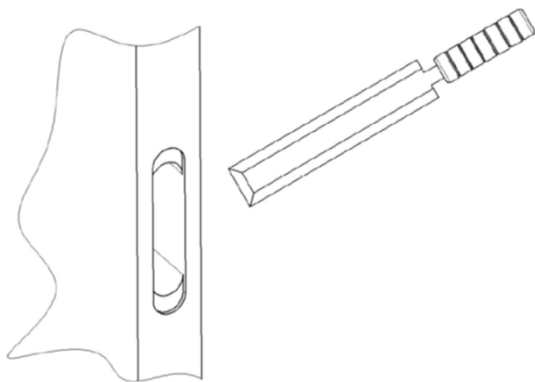
3a. Drill (2) 1" (25mm) diameter holes, 1/8" (3mm) in depth as shown on the template



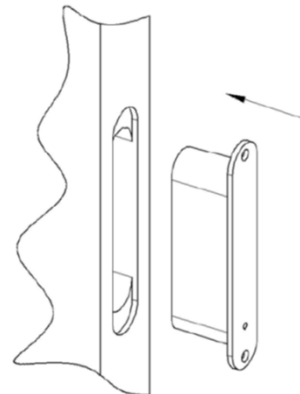
3b. Drill out the main WPT pocket to a minimum depth of 1-7/8" (48mm), and diameter of 1" (25mm)



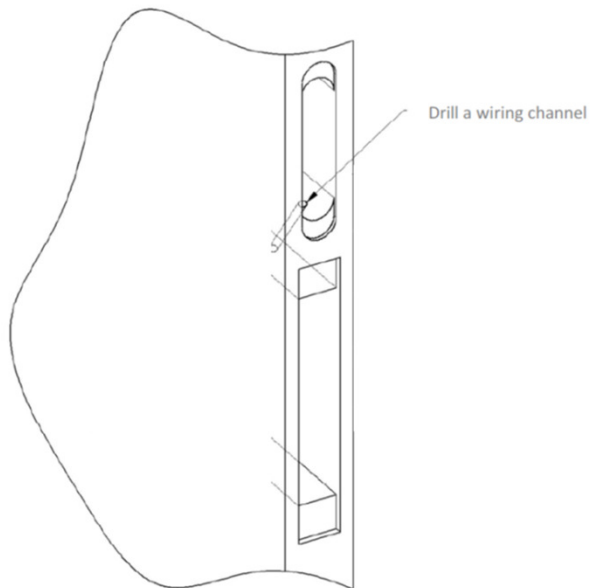
3c. Carefully use a chisel to straighten the sides.



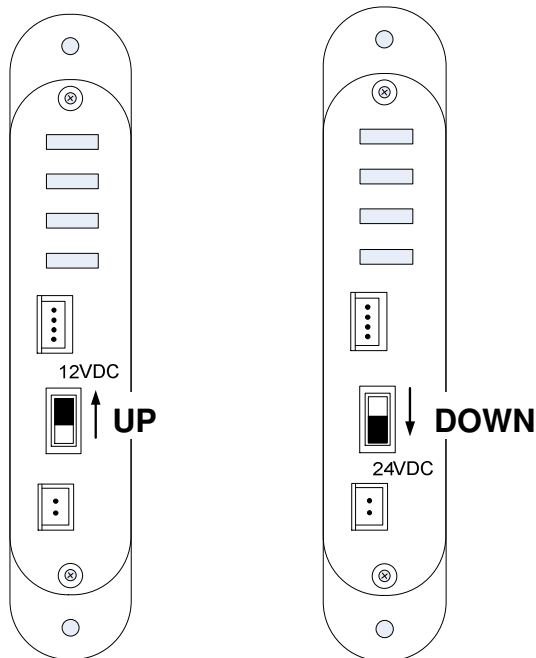
3d. Verify that the WPT unit fits in the cutout, and file as necessary.



3e. For the door side unit, drill a wiring channel to the electrified device to be powered.



4. Select the Lock Output Voltage. Use the slide switch on the back of the door side unit to select the appropriate lock voltage.

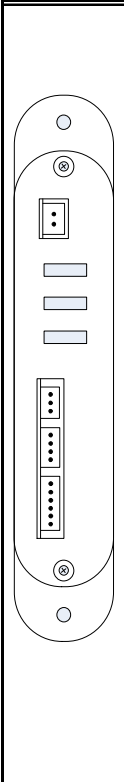


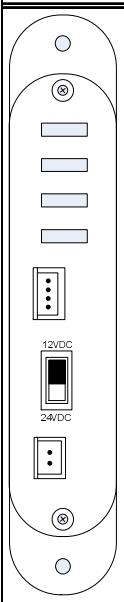
5. Repeat steps 2 or 3 for the installation of the frame side unit in a metal or wood frame.



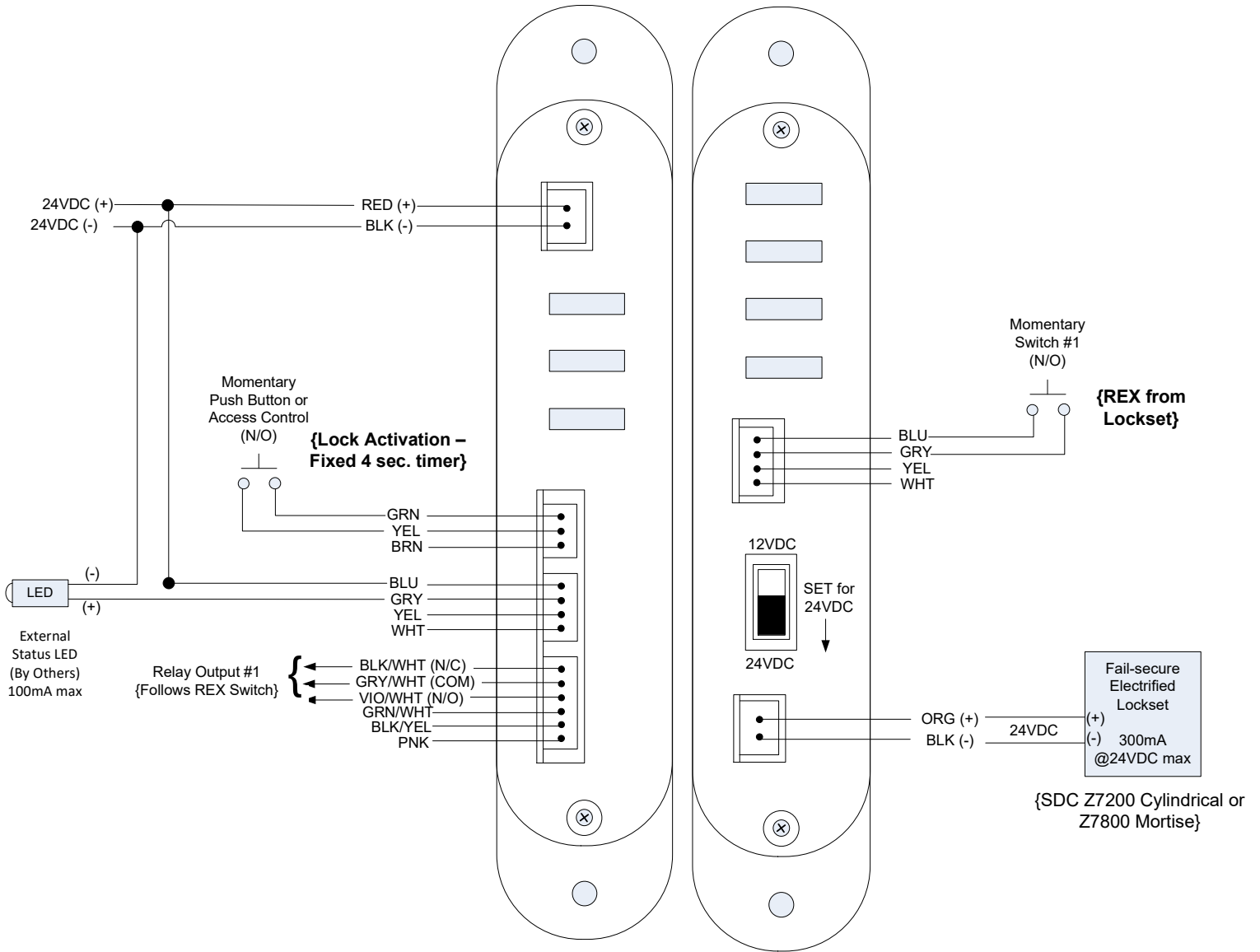
6. Terminate wiring to both of the WPT units.

6a. Wiring Overview. Items marked as “Required” are the minimum connections required to control an electrified lockset. Select Momentary Activation, or Maintained, or both. Use the wiring diagrams on Page 7 as a reference.

WPT Unit	Pigtail	Wire Color	Function	Required
	Input Power (Continuous)	RED	24VDC (+) @ 600mA	X
		BLACK	Ground	
	Activation Triggers	GREEN	Momentary Activation (fixed 4 second)	X
		YELLOW	Activation Common	
		BROWN	Maintained Activation (up to 90 secs.)	
	Solid State Outputs	BLUE	Door Status (Closed when door closed)	
		GRAY		
		YELLOW	Error Status (Closed when tampered)	
		WHITE		
	Relay Outputs	BLACK/WHITE	Normally Closed #1	
		GRAY/WHITE	Common #1	
		PURPLE/WHITE	Normally Open #1	
		GREEN/WHITE	Normally Closed #2	
		BLACK/YELLOW	Common #2	
		PINK	Normally Open #2	

WPT Unit	Pigtail	Wire Color	Function	Required
	Relay Activation Inputs	BLUE	Relay #1 Activation {Short to Activate}	
		GRAY		
		YELLOW	Relay #2 Activation {Short to Activate}	
		WHITE		
	Lock Power Output	ORANGE	12 or 24 VDC (+) {Field selectable}	X
		BLACK	12 or 24 VDC (-) {Field selectable}	

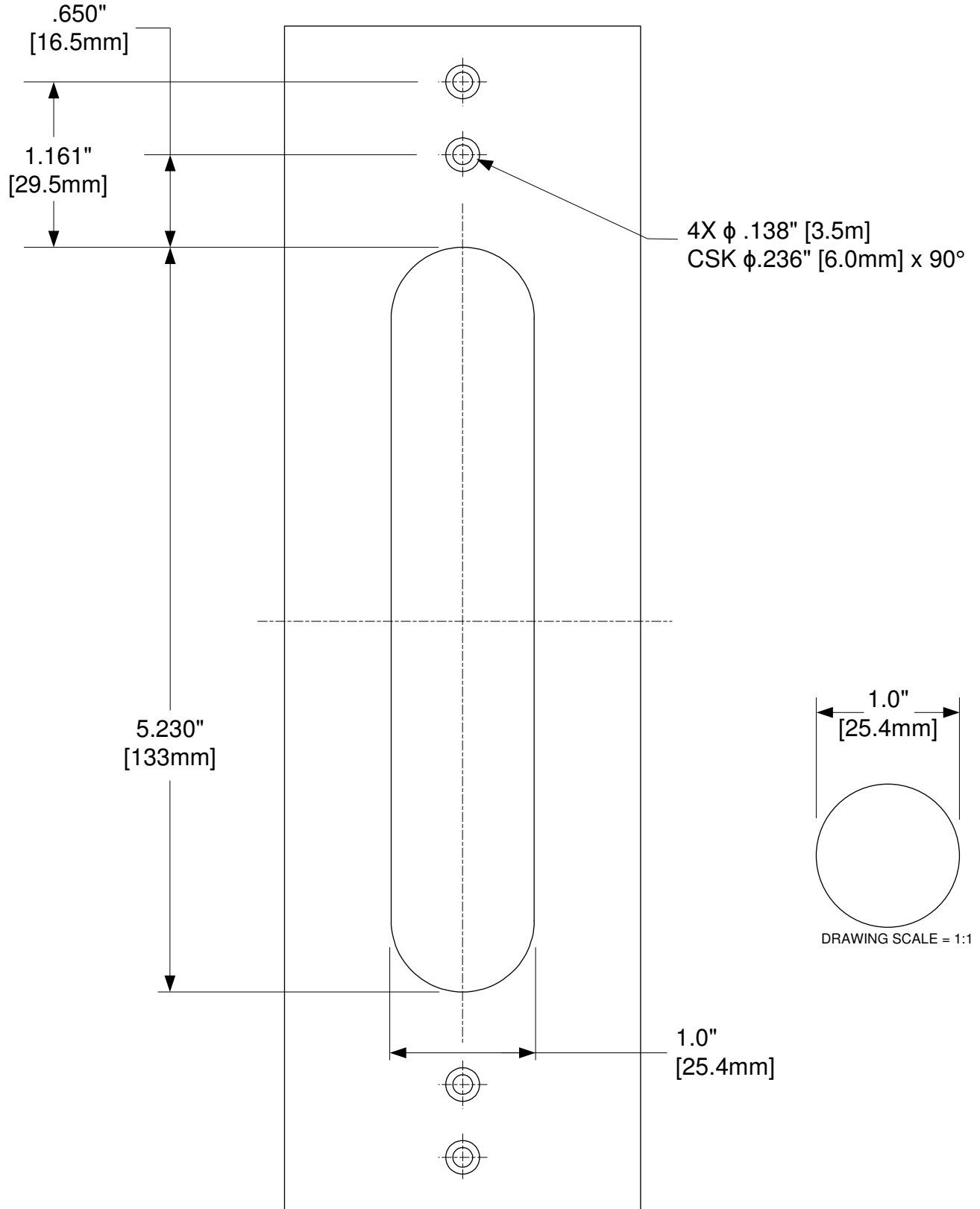
6b. Wiring Examples



7. Mount both WPT units using the appropriate screws. Apply continuous power to the frame side. If using a momentary switch to activate the lock, hold for a second or two, then release. Power will be provided to the lock for approximately 4 seconds.

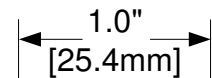
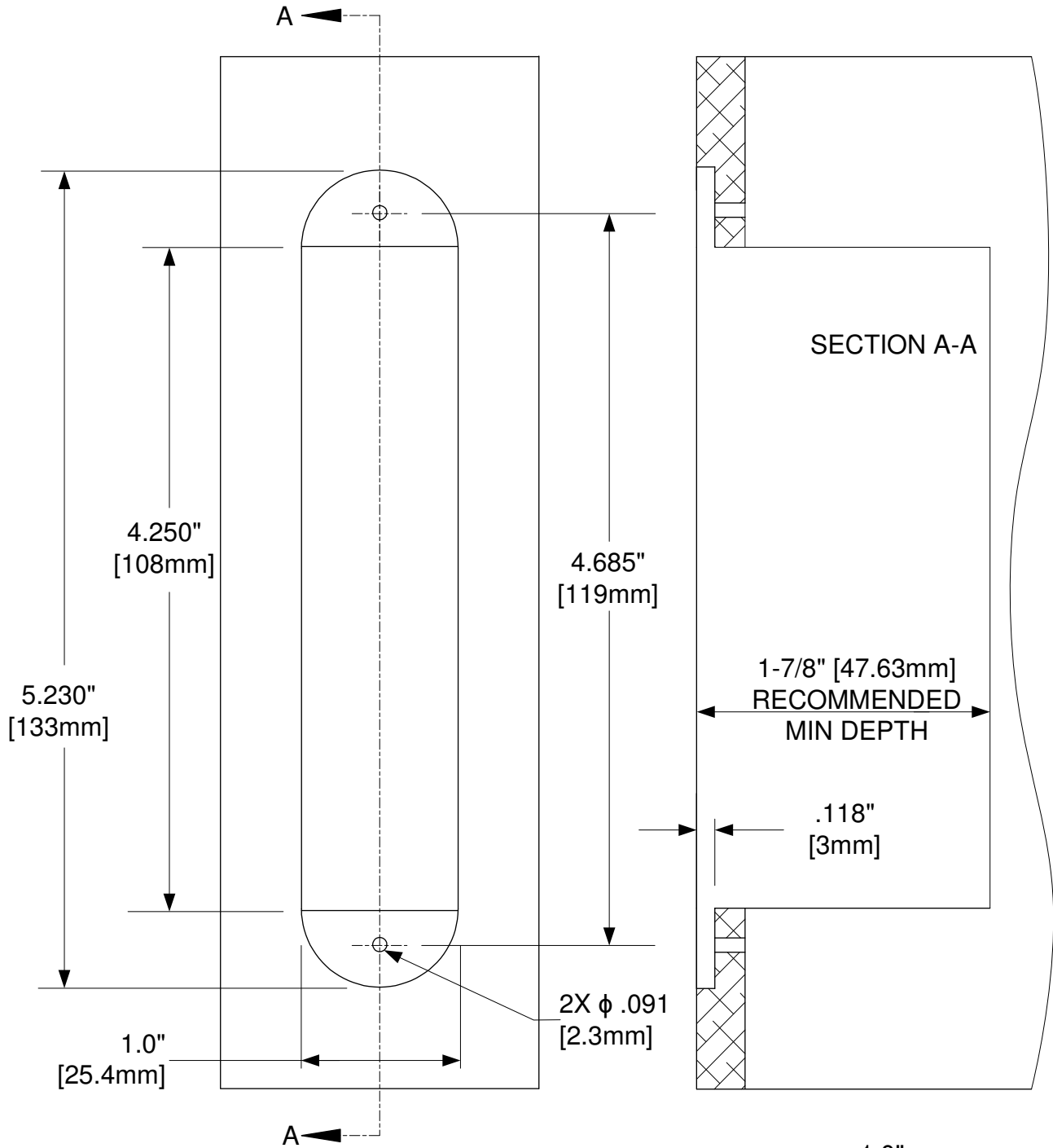


TEMP-WPT METAL DOOR/FRAME





TEMP-WPT WOOD DOOR/FRAME



DRAWING SCALE = 1:1