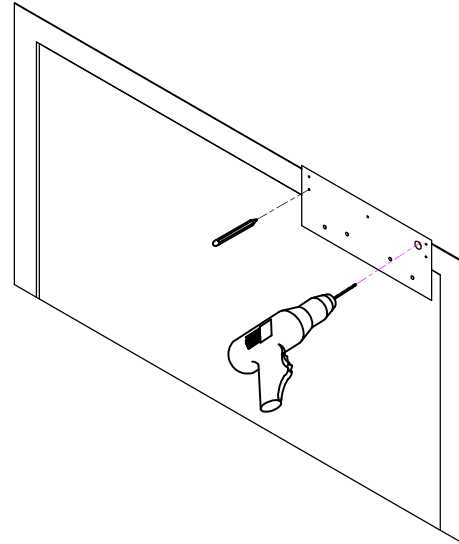


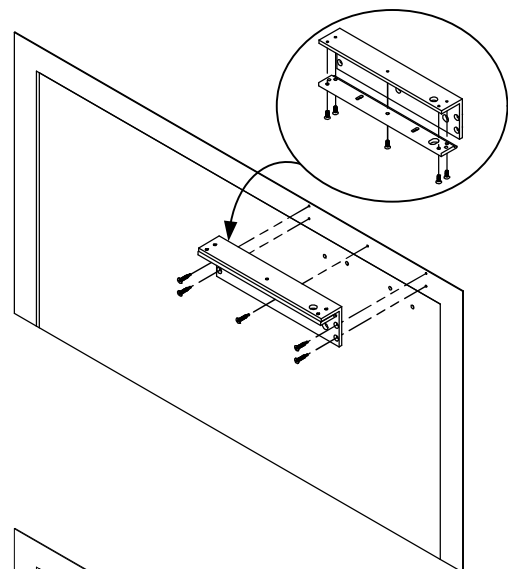
# INSTALLATION INSTRUCTIONS

## TJ1 TOP JAMB MOUNTING KIT

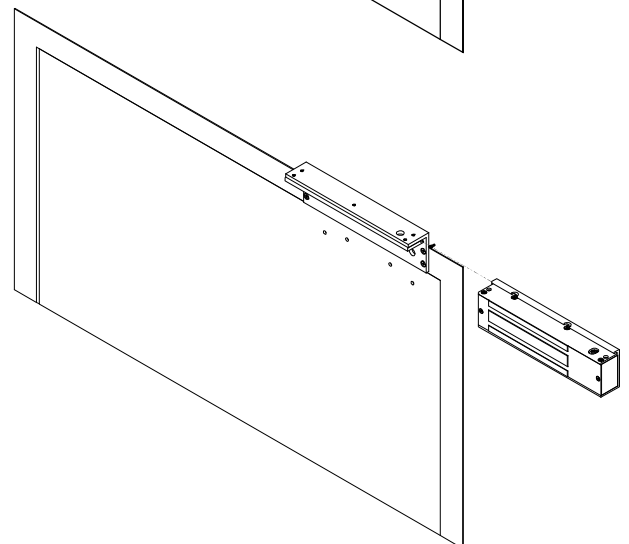
1. Place template against top of frame & door.  
Mark & drill holes according to template.



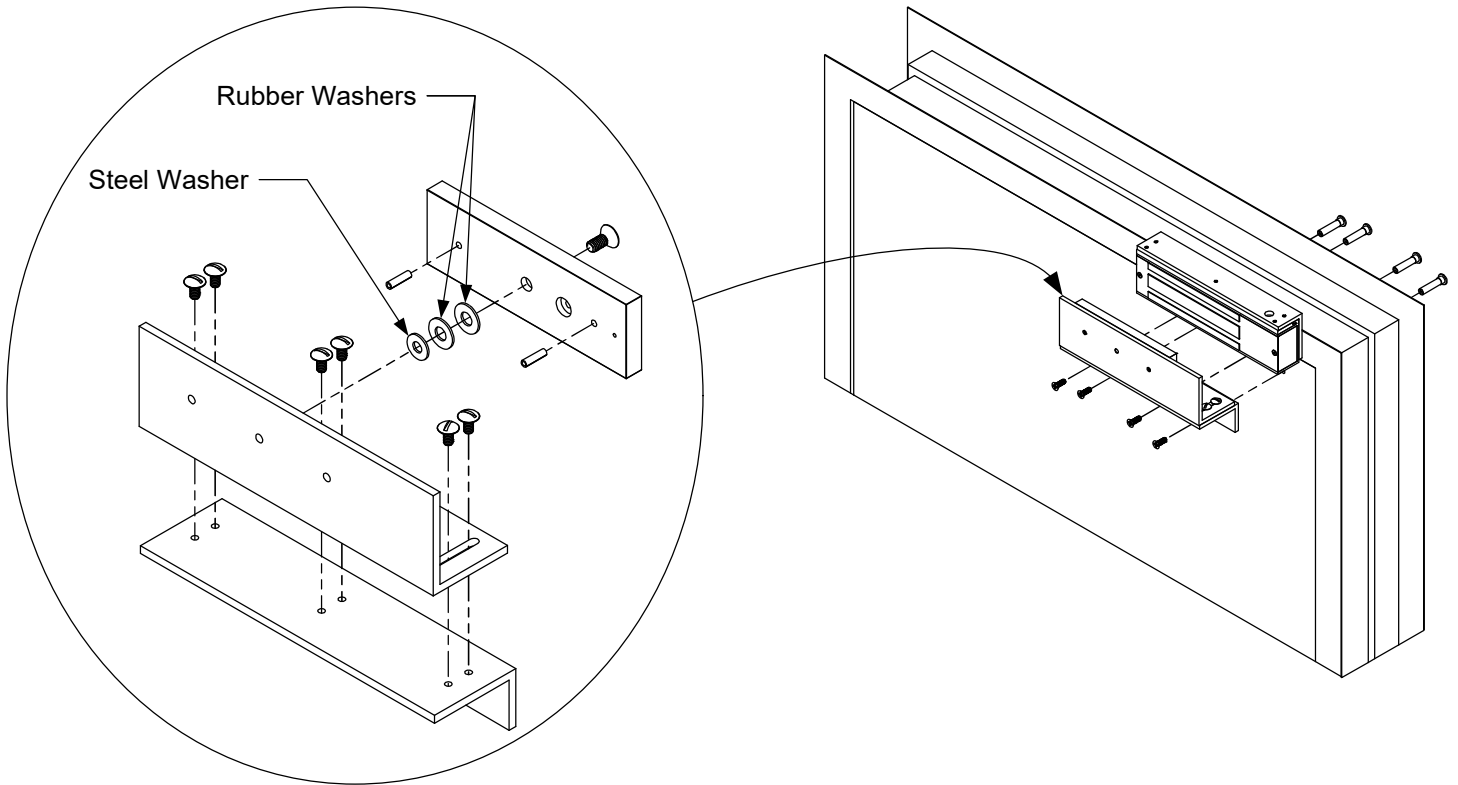
2. Assemble Frame Bracket & Lock Mounting Bracket. Install onto top of frame.



3. Install lock onto Frame Bracket assembly. Tighten integrated bolts to secure lock in position.



4. Assemble Armature Brackets as shown, using a minimum of at least 1 Rubber Washer add additional if required. Install Armature Bracket Assembly onto door. Armature should just make contact with Lock. Adjust the offset of Armature Bracket as needed.



Final Assembly Diagram

