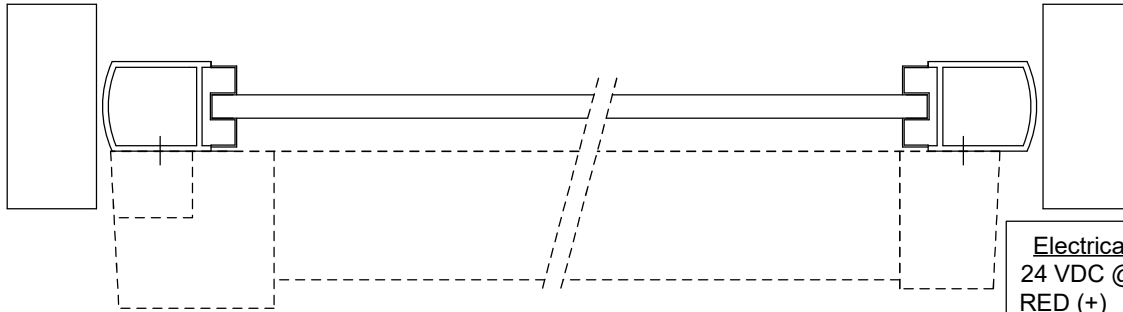


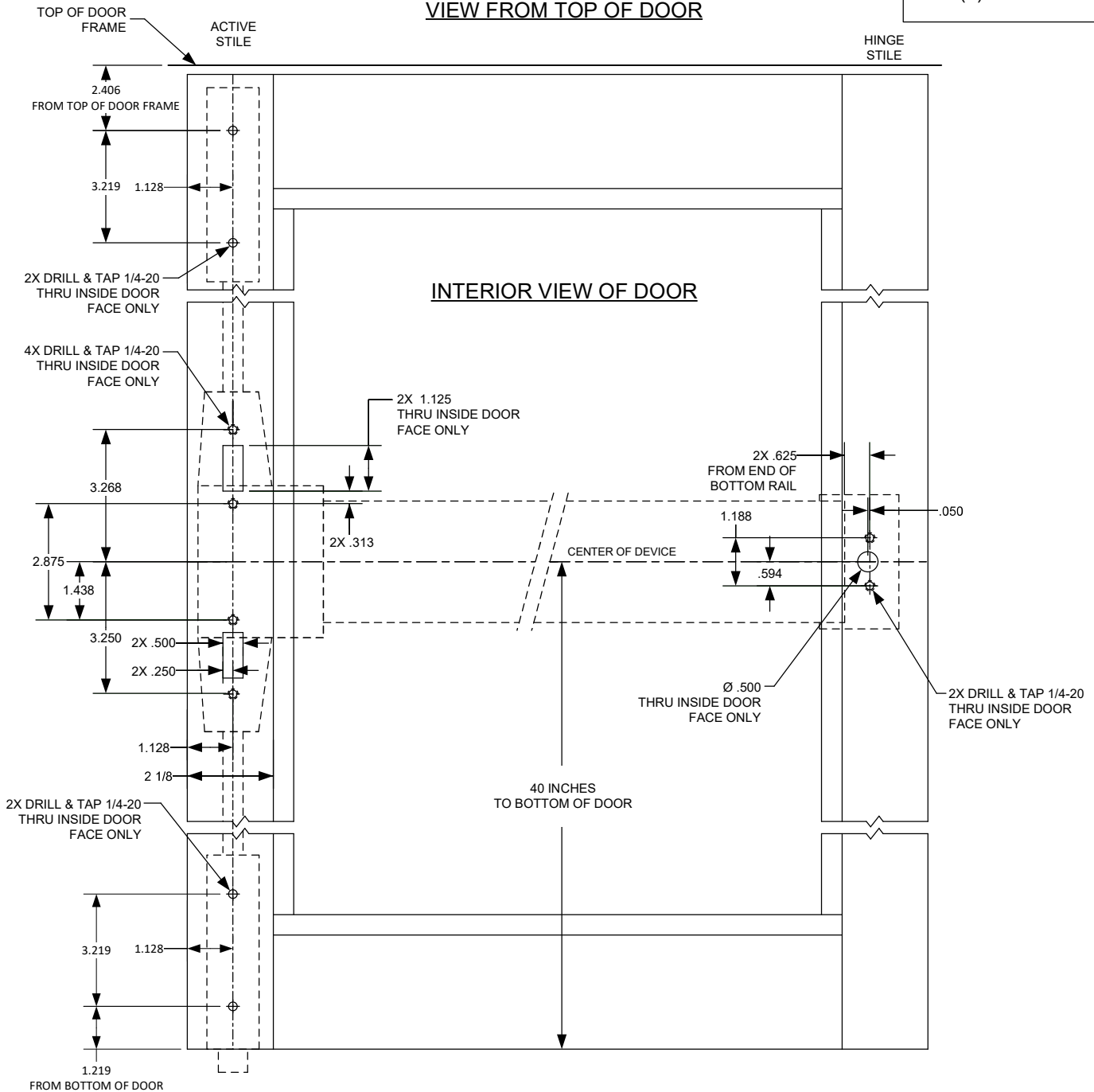


# INSTALLATION INSTRUCTIONS

## S5200 SURFACE VERTICAL ROD EXIT DEVICE



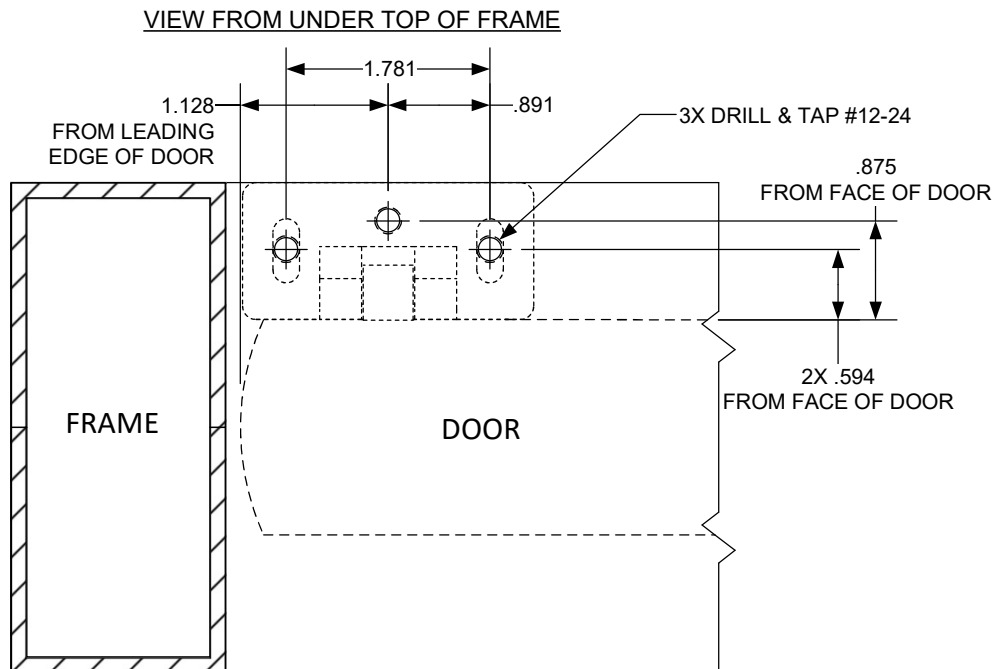
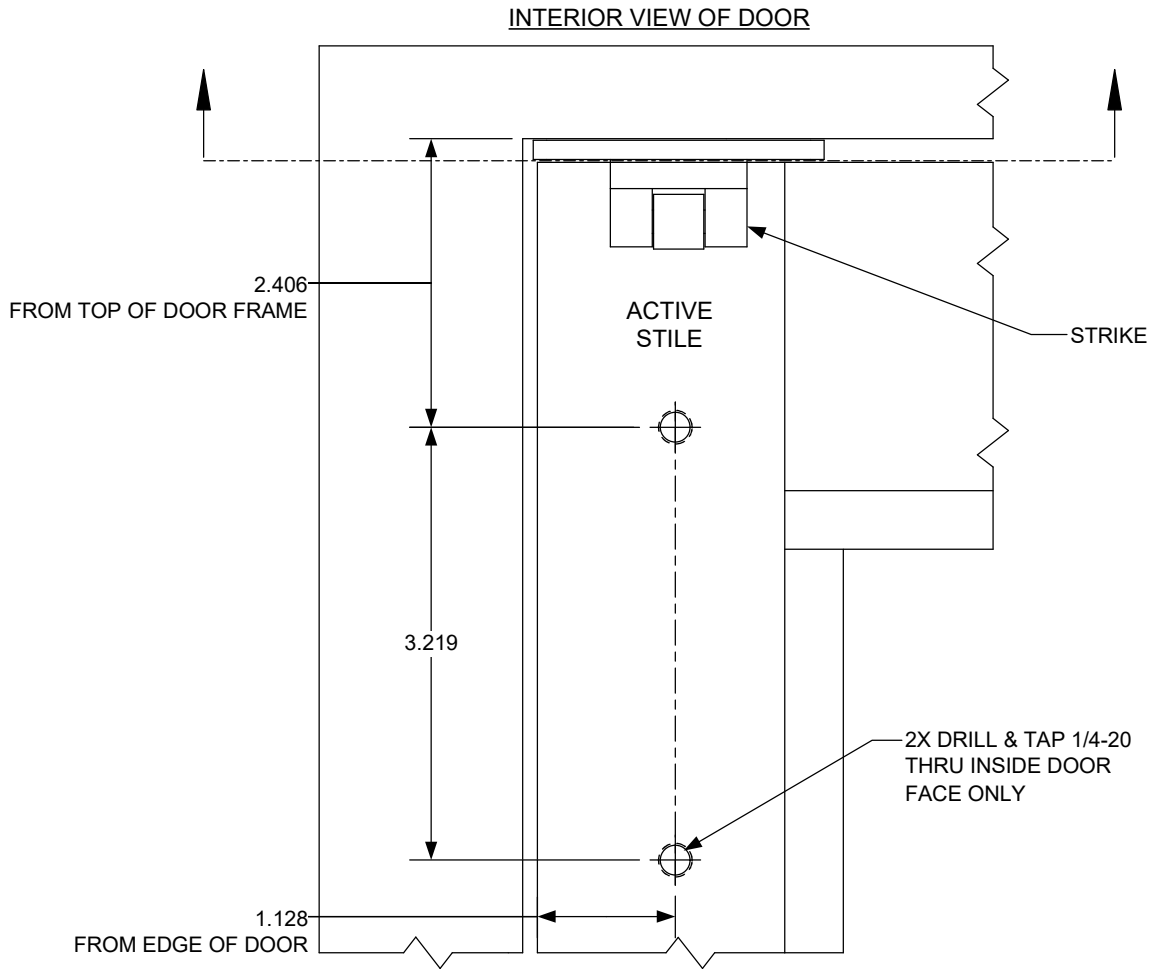
**Electrical Specification**  
 24 VDC @ 700 / 200 mA  
 RED (+)      BLK (-)



Any suggestions or comments to this instruction or product are welcome. Please contact us through our website or email engineer@sdsecurity.com

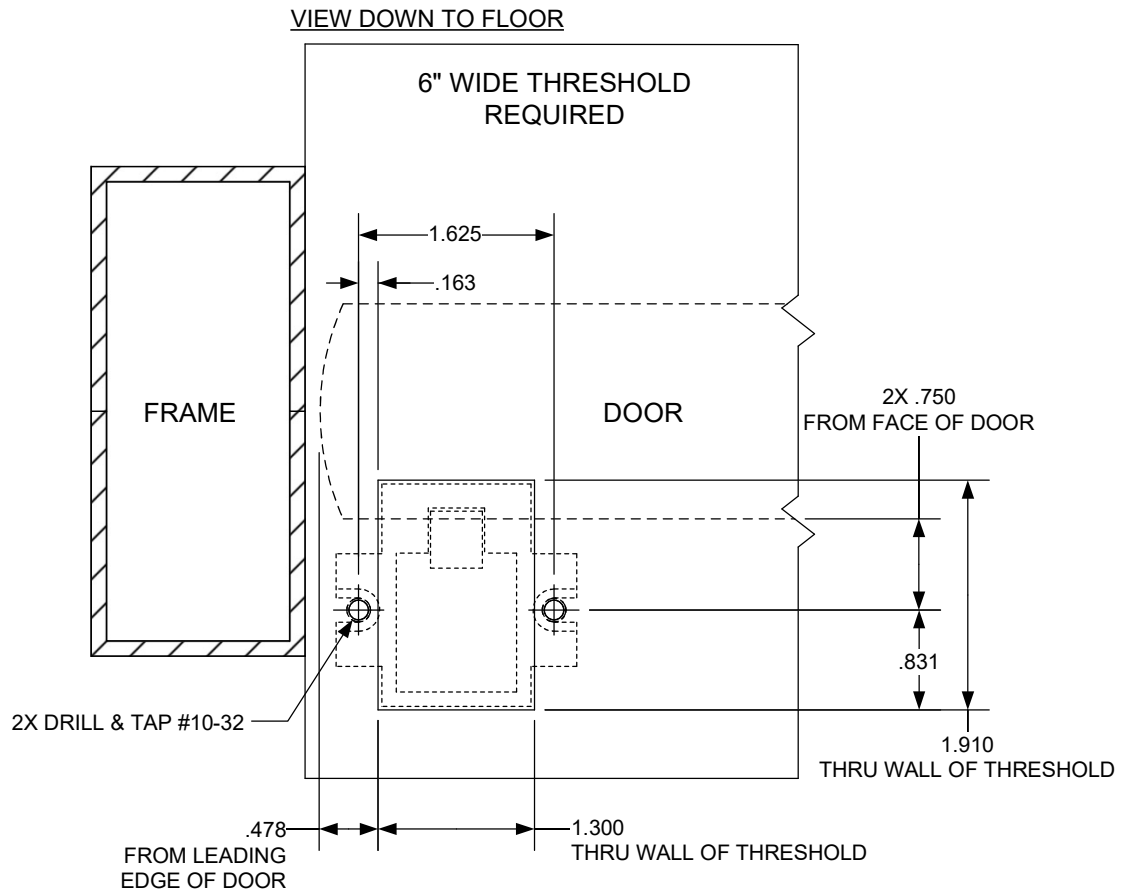
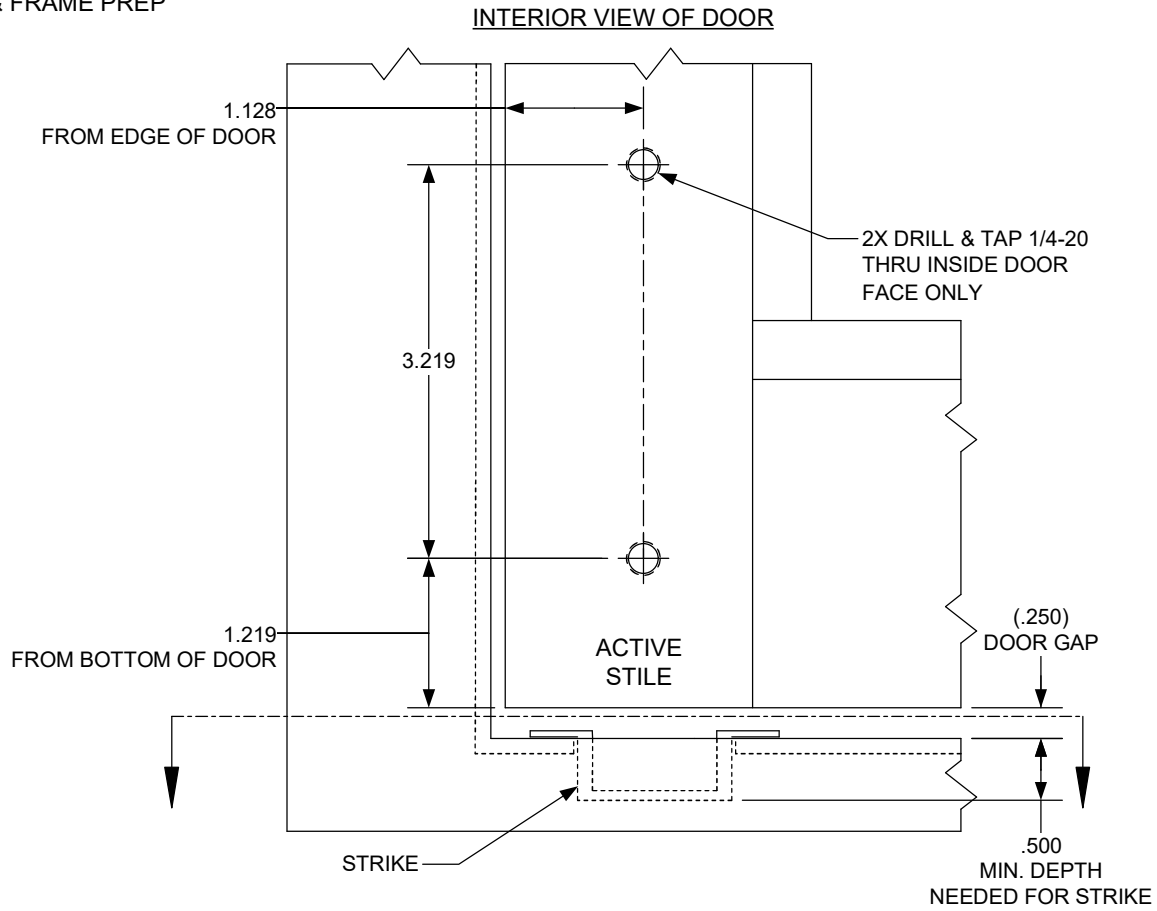


TOP STRIKE – CENTER PIVOT HINGE  
STILE & FRAME PREP





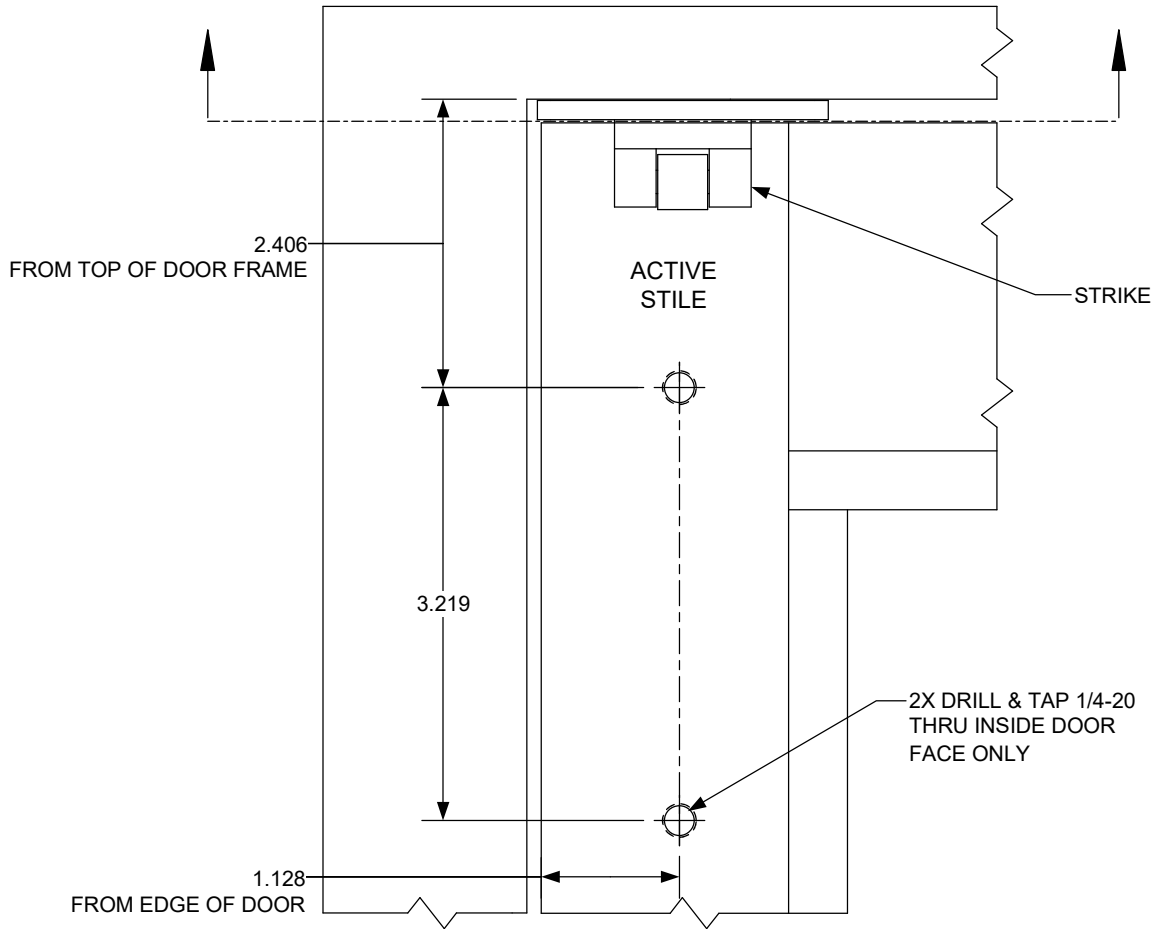
**BOTTOM STRIKE – CENTER PIVOT HINGE  
STILE & FRAME PREP**



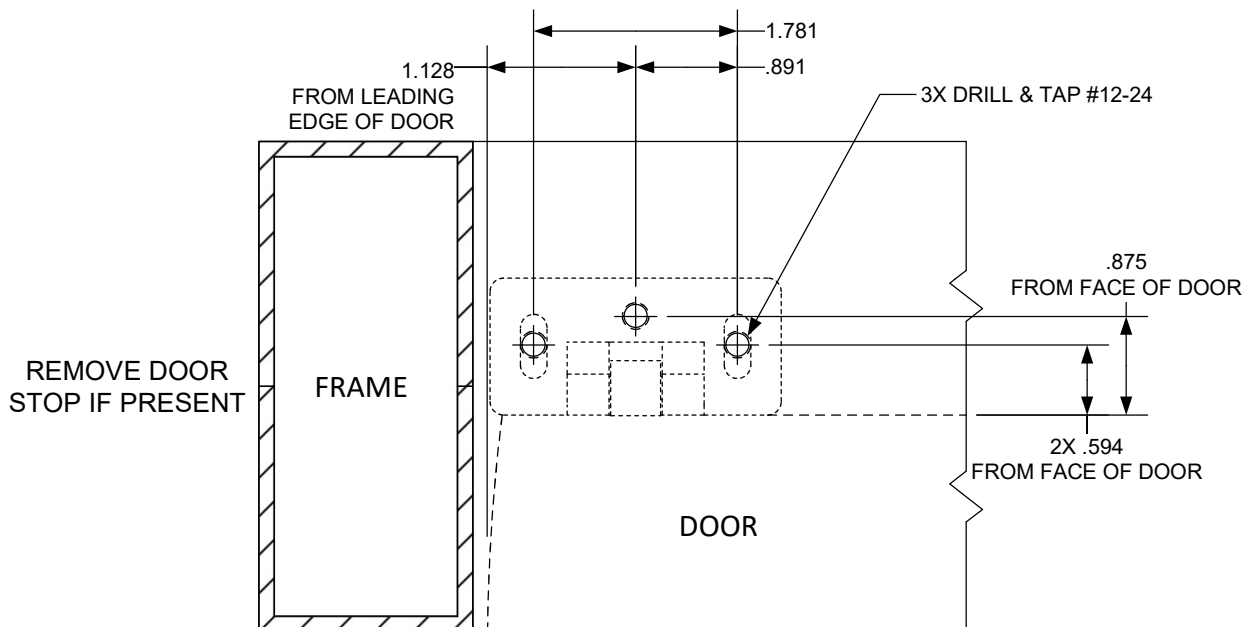


TOP STRIKE – OFFSET PIVOT HINGE DOOR  
STILE & FRAME PREP

INTERIOR VIEW OF DOOR

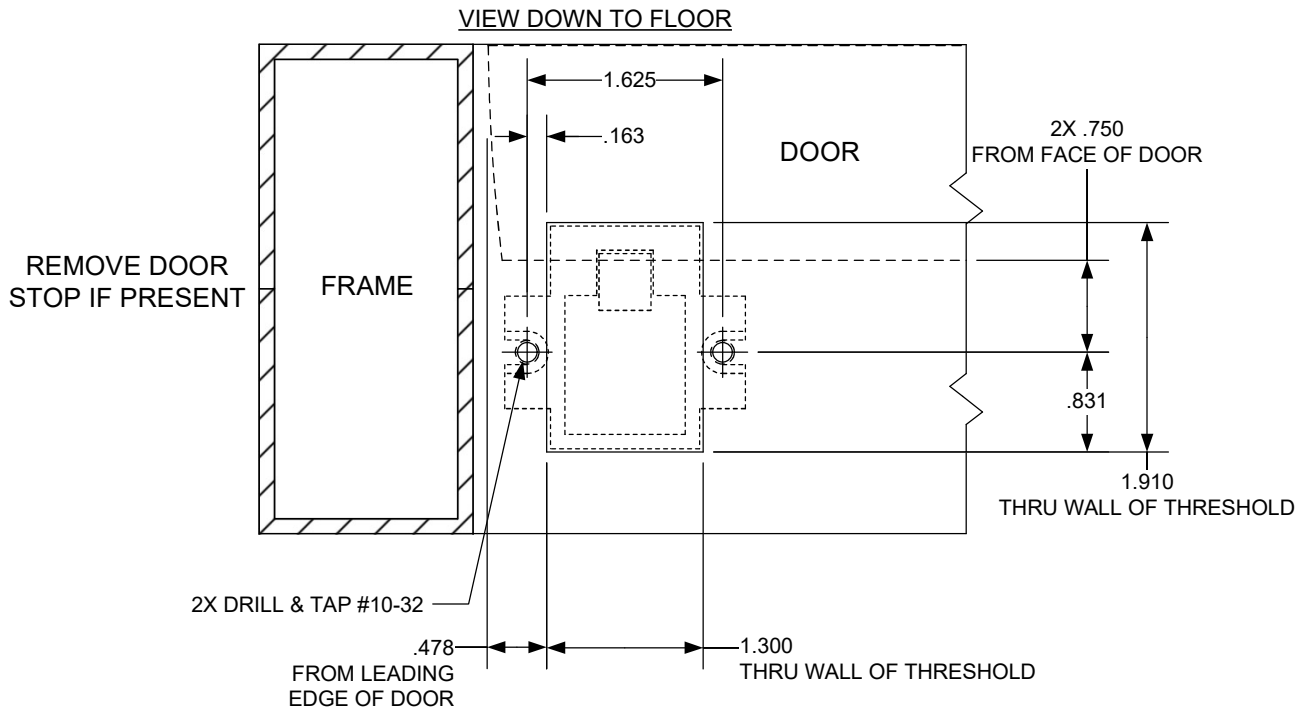
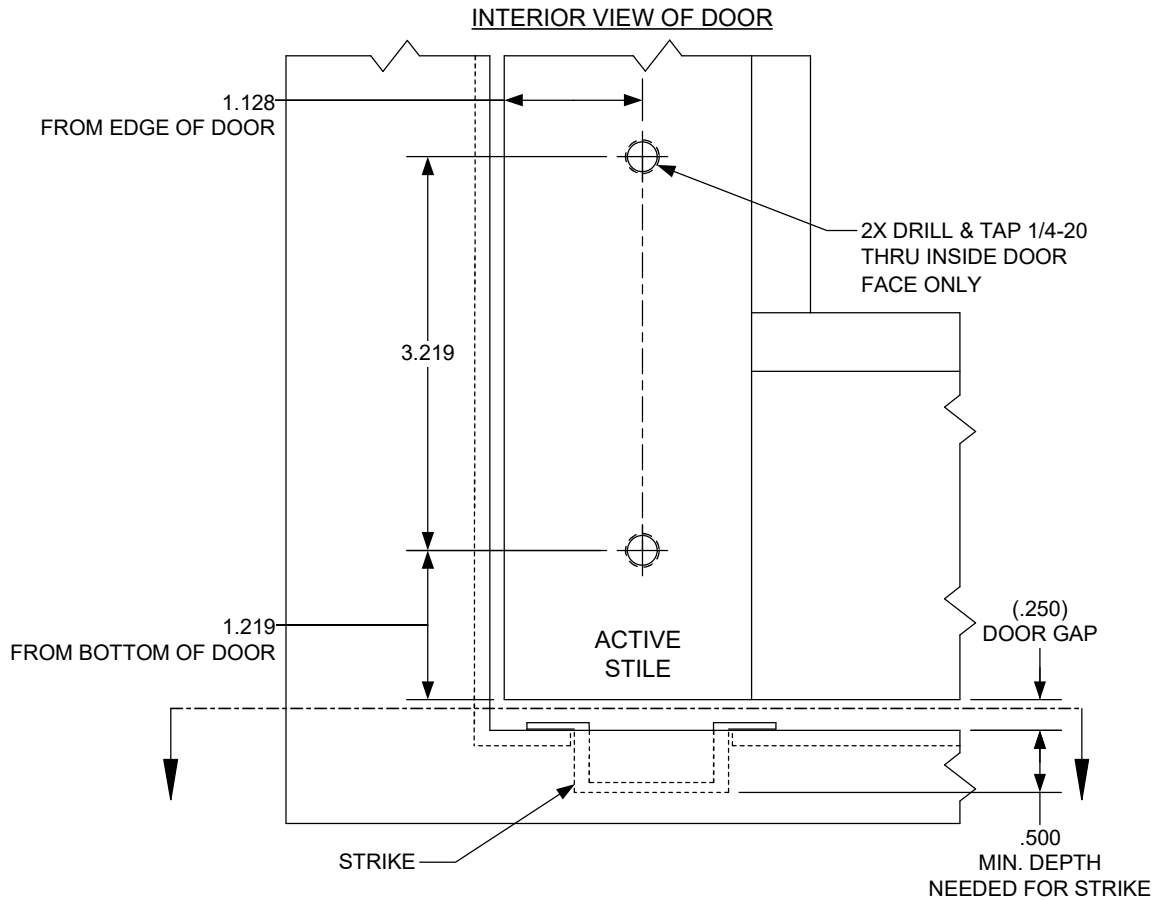


VIEW FROM UNDER TOP OF FRAME





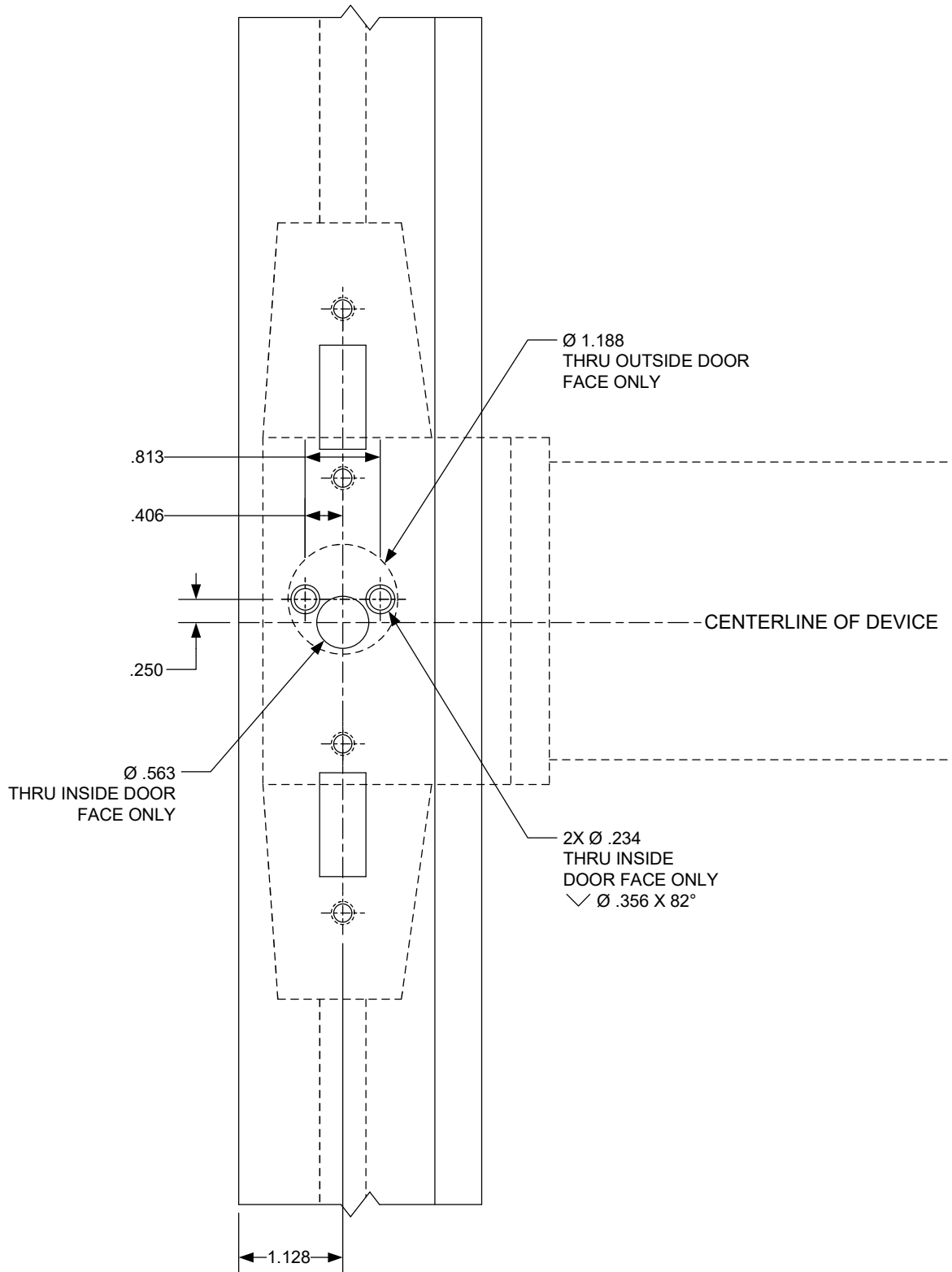
### BOTTOM STRIKE – OFFSET PIVOT HINGE DOOR STILE & FRAME PREP





### OPTIONAL CYLINDER PREP

#### CYLINDER PREP



## S5200 HEAD MOUNTING SCREW INSTALLATION

Cut Cable Ties off of the Rod Actuators. Remove both Rod Actuators by removing the existing Actuator Screws and Spacers. Insert supplied Mounting Screws into holes as shown. Re-attach both Rod Actuators. Insert remaining Mounting Screws through supplied Washers and Spacers and through shown holes in the Rod Actuators and Device Head.

