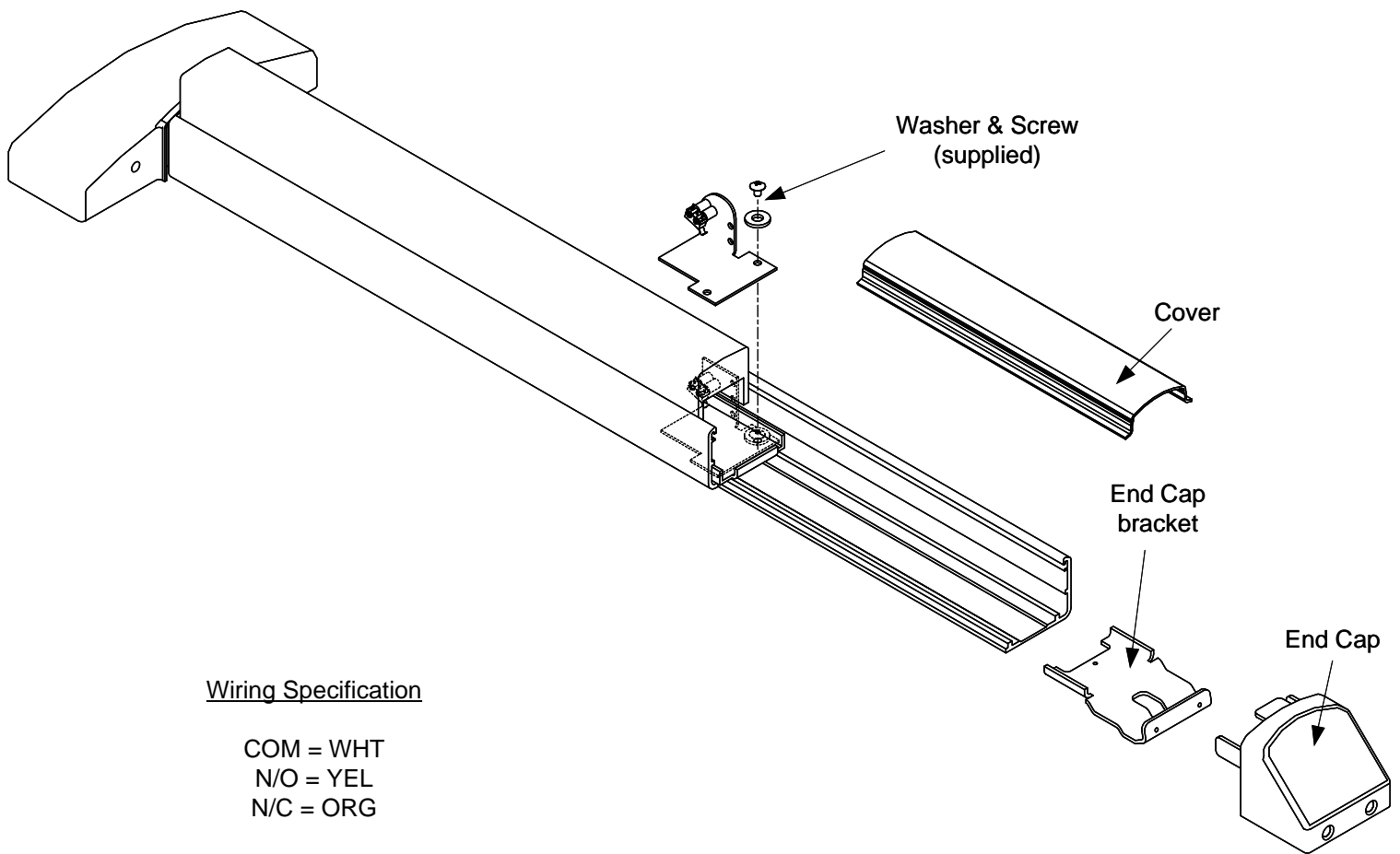




INSTALLATION INSTRUCTIONS

LRDX1R DETEX REX SWITCH KIT MODELS: 10, 20, 40, 50, 60 & 80 SERIES

Remove the End Cap, End Cap bracket and Cover. Slide the REX bracket assembly into the device and under the push bar mounting plate so the mounting hole aligns with existing tapped hole in the Push Bar base. Insert the supplied screw & washer and tighten the screw to lock the bracket in place. Replace Cover, End Cap bracket and End Cap.



Wiring Specification

COM = WHT
N/O = YEL
N/C = ORG

3A @ 125VAC
RESISTIVE

Any suggestions or comments to this instruction or product are welcome. Please contact us through our website or email engineer@sdsecurity.com