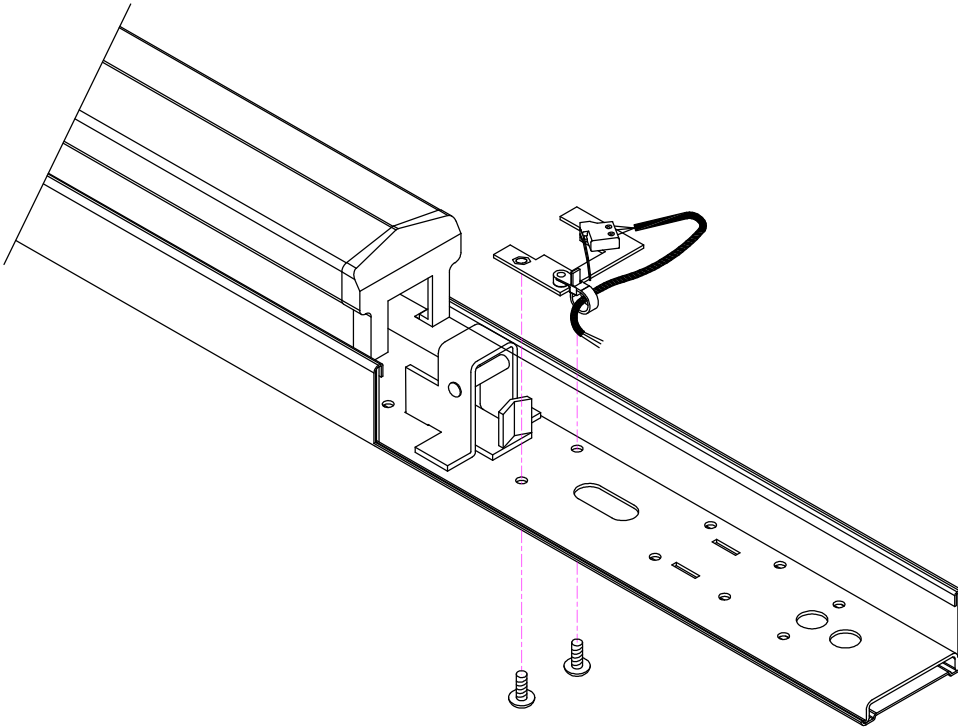




INSTALLATION INSTRUCTIONS

LRCR1R CORBIN RUSSWIN REX SWITCH KIT MODELS ED4200, ED4800, ED5200, ED5400, & ED5800

Remove Device End Cap and cover. Position the switch bracket where shown and attach to the device with the two supplied #8-32 screws. Re-attach Cover and End Cap.



WHT – COM
GRN – N/O
RED – N/C
5 AMP @ 250VAC
RESISTIVE

