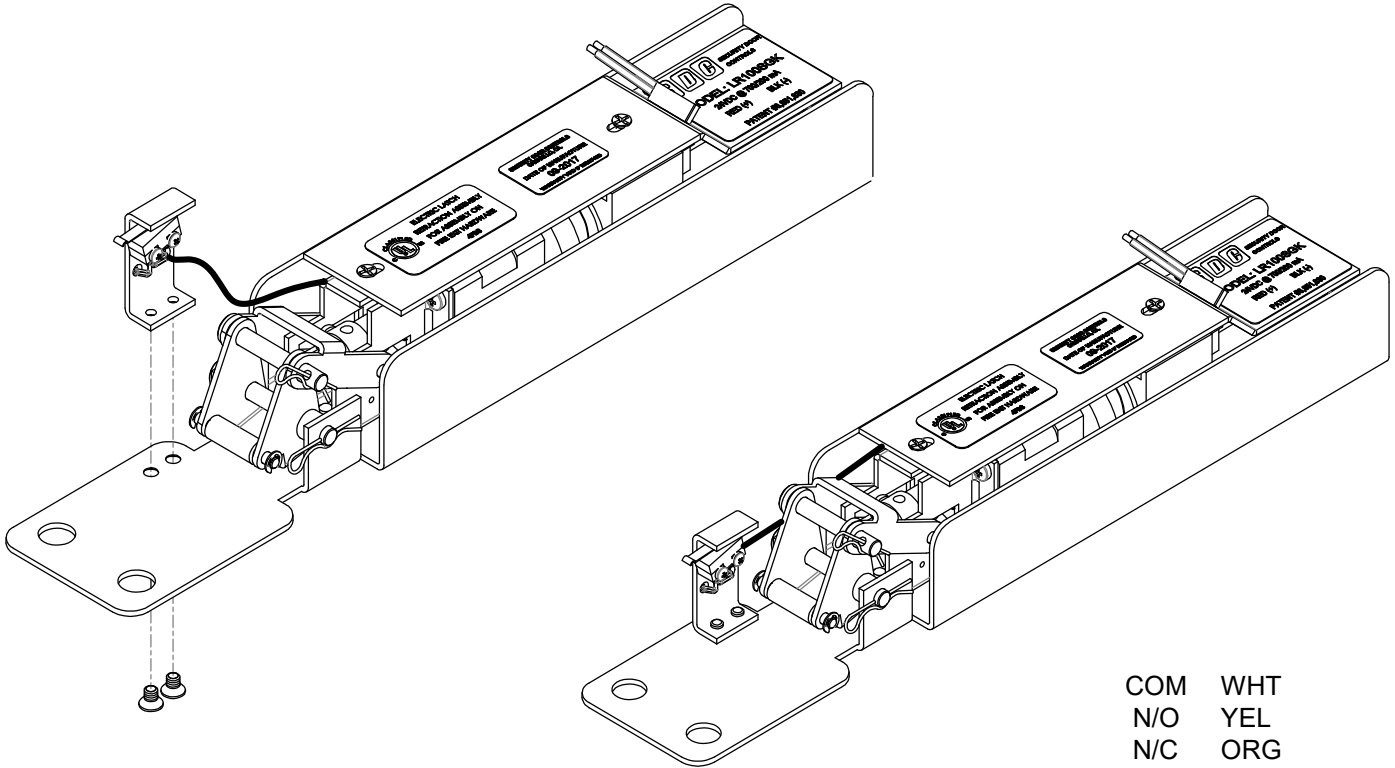




# INSTALLATION INSTRUCTIONS

## LRCA1R CAL-ROYAL REX SWITCH KIT MODELS: 9800 & GLSCVR9800 SERIES

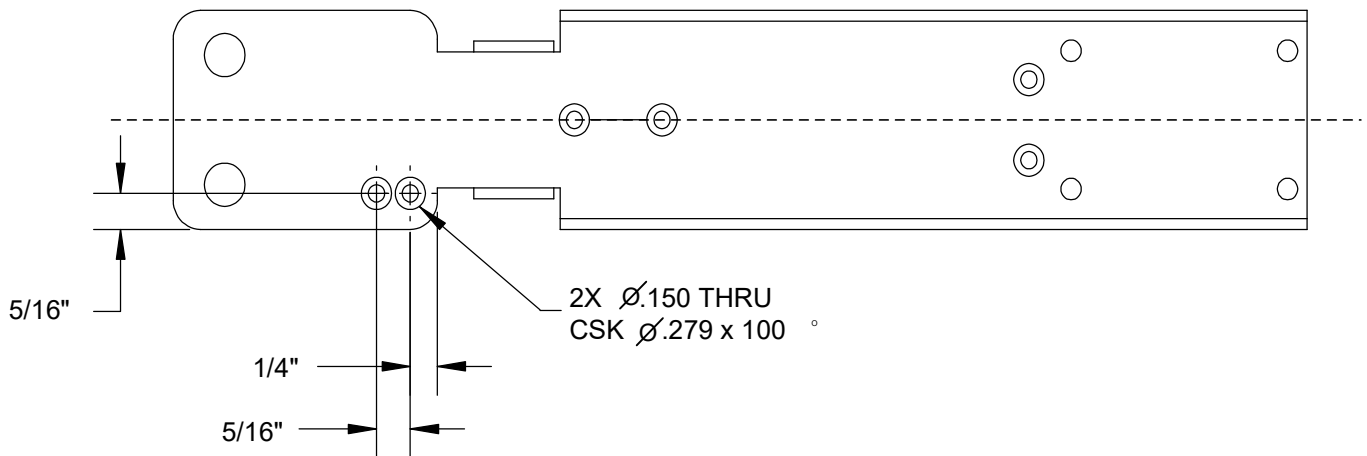
Attach the switch mounting bracket where shown. Run switch wires along the side of the housing.



COM	WHT
N/O	YEL
N/C	ORG

5 AMP @ 125 VAC  
RESISTIVE

If LR100 kit doesn't have the mounting holes for the REX kit, then modify per dimensional reference shown below.



Any suggestions or comments to this instruction or product are welcome. Please contact us through our website or email [engineer@sdsecurity.com](mailto:engineer@sdsecurity.com)