



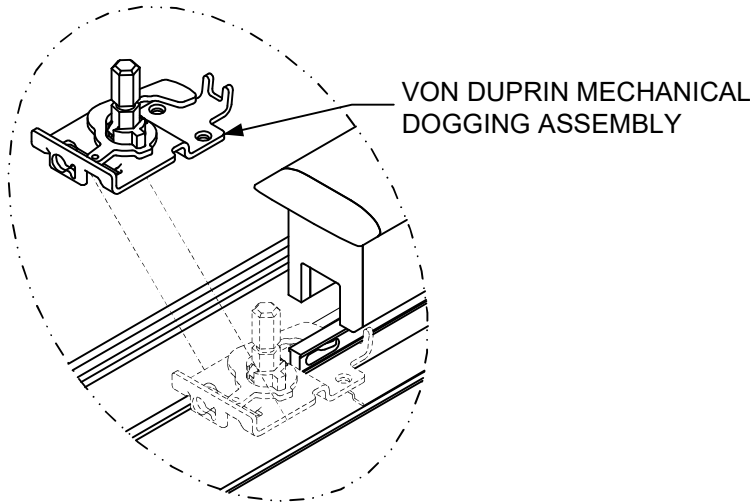
INSTALLATION INSTRUCTIONS

LR100VDK-EM-22 ELECTRIC LATCH RETRACTION EXTERNAL MODULE VON DUPRIN MODELS: 22 & 2227

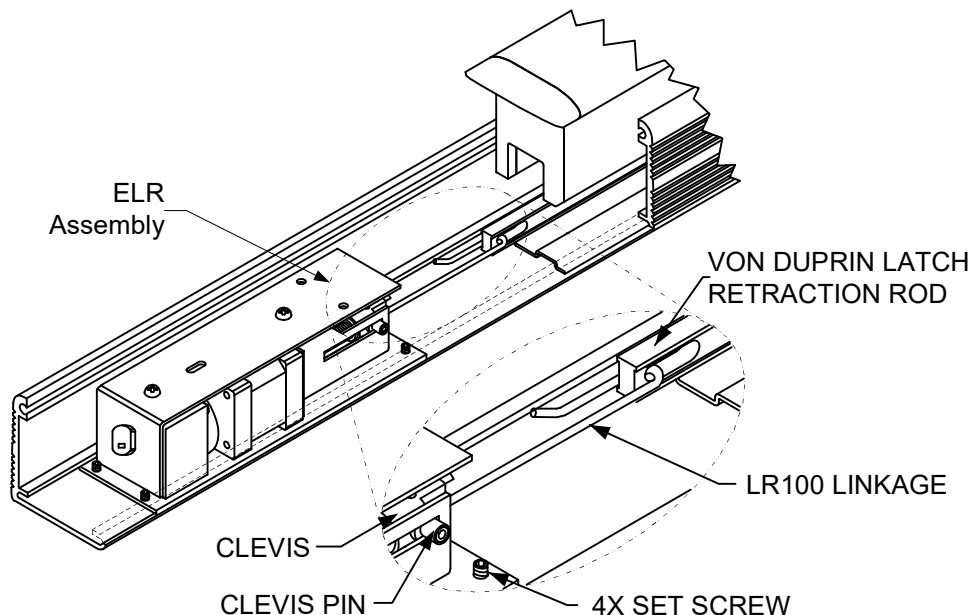
Retrofit Installation Note: 42" or 48" exit devices that have been modified to fit a 36" or smaller opening, may not have the required space to fit the standard E. L. R. assembly. Always verify the distance from the end of the touchpad to the end rail, and if necessary, consult with the factory for appropriate selection.

Remove Von Duprin installed mechanical dogging assembly.

ELECTRICAL DATA
24VDC +/- 10%
1.5A Inrush / 200mA holding
RED (+) BLK (-)
PATENT #8,851,530



Slide the LR100 Electric Latch Retraction assembly into device and attach the linkage to the latch retraction rod.

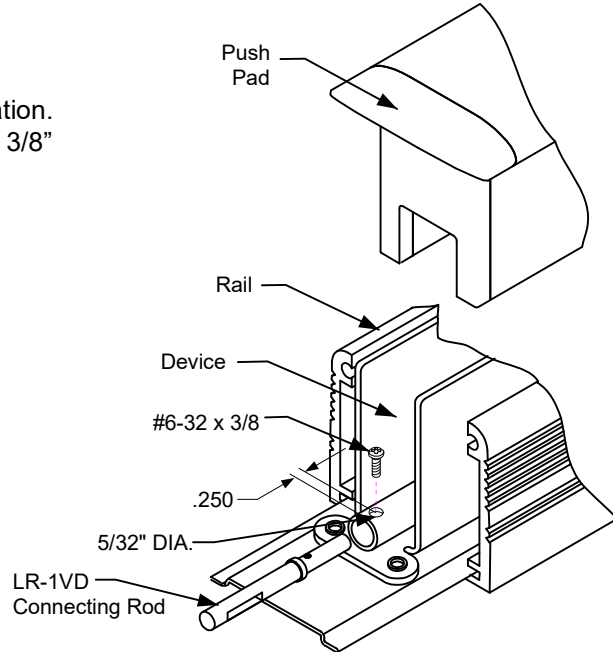


Any suggestions or comments to this instruction or product are welcome. Please contact us through our website or email engineer@sdsecurity.com

LR-1VD

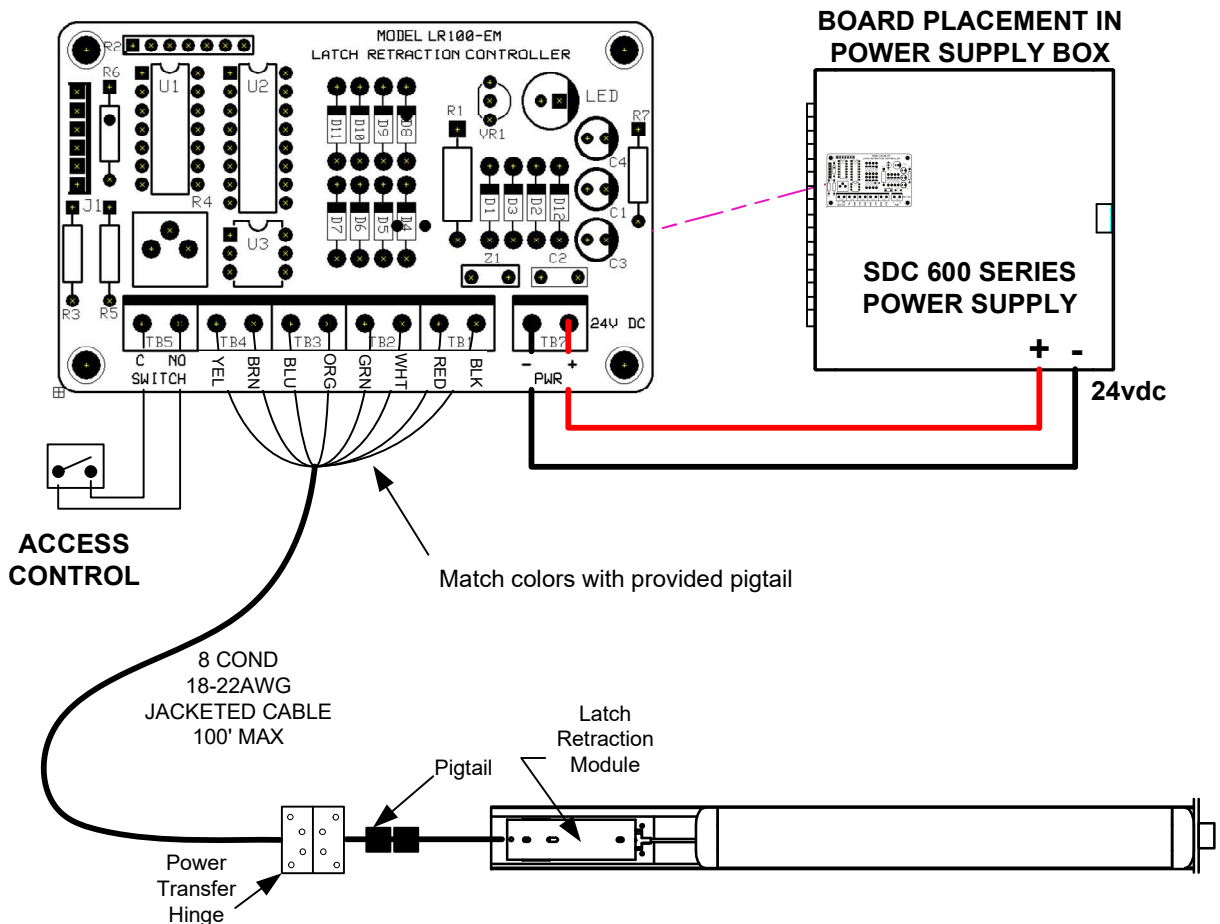
INSTALLATION INSTRUCTIONS LR-1VD CONNECTING ROD FOR USE ON VON DUPRIN DEVICES WITHOUT DOGGING FEATURE

1. Remove the rail and push pad from the device
2. Drill a 5/32" (.156") diameter hole as shown in illustration.
3. Insert and attach the connecting rod with the #6-32 x 3/8" screw provided.
4. Refer to Pg. 1, Step 2 to continue.



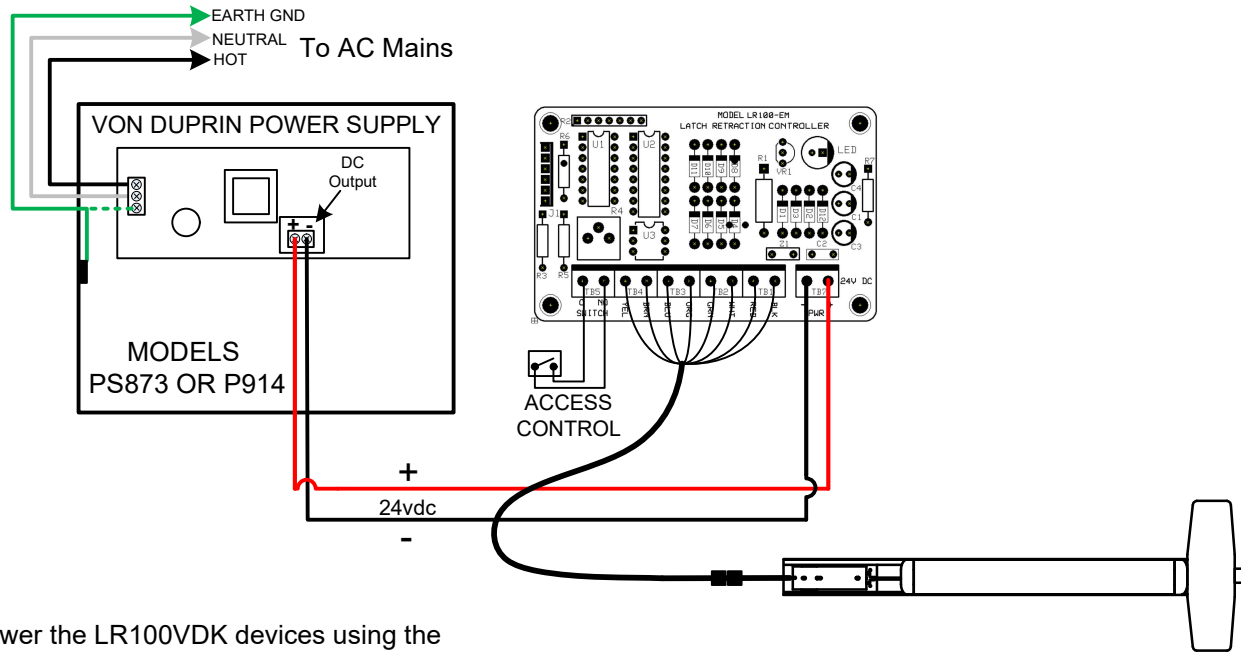
NOTE Retro-Fitting Vertical Rod Devices:

Before retro-fitting an electric latch assembly into a vertical device, the following must be done to ensure proper alignment. Disconnect the vertical rods from the device head. Once the ELR is properly installed energize it so that the push pad is dogged down, by doing so it will allow for proper alignment for the vertical rods. Finally reconnect the vertical rods to the device and make the proper adjustments.



WIRING FOR VON DUPRIN POWER SUPPLY

SINGLE DEVICE



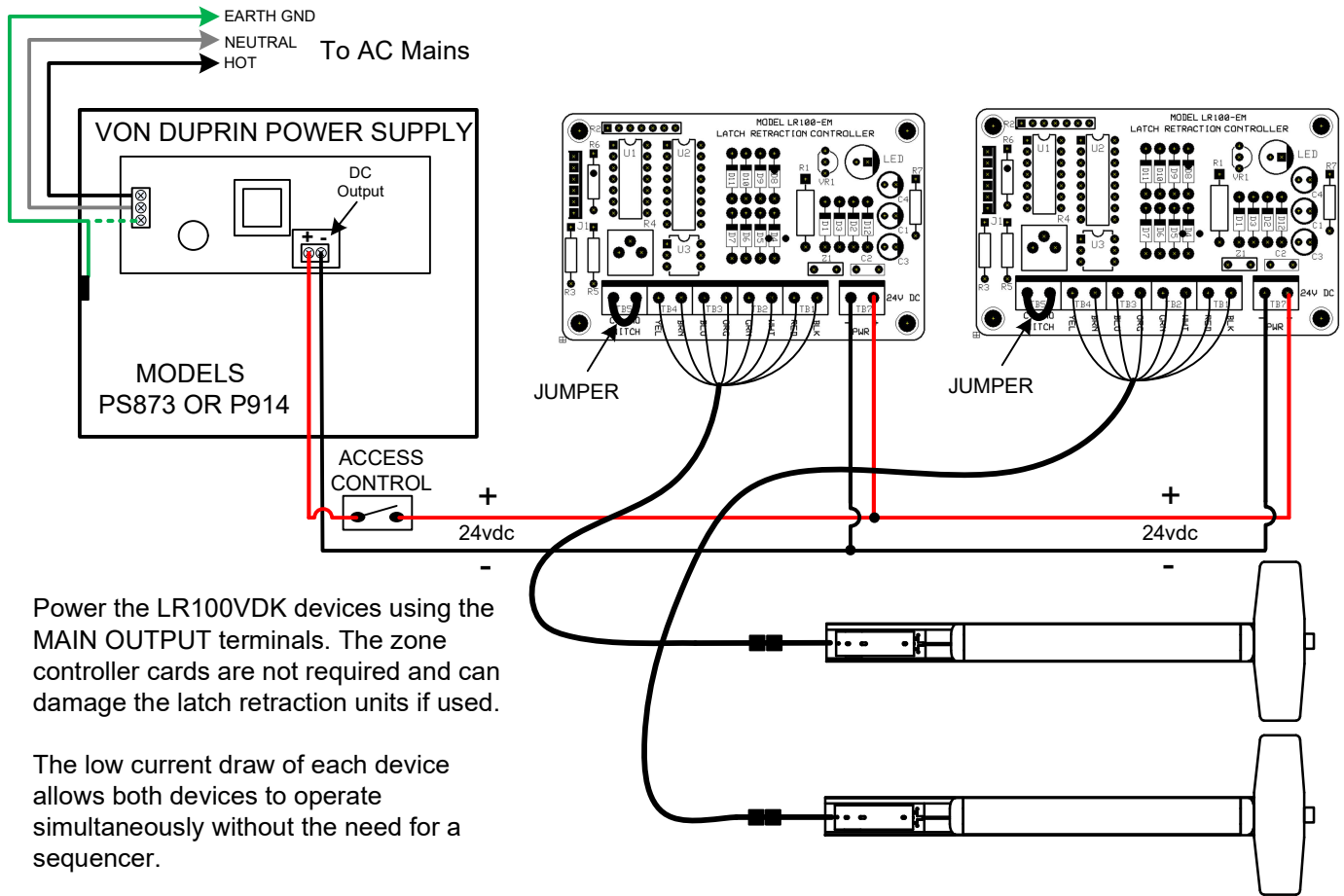
- Power the LR100VDK devices using the MAIN OUTPUT terminals. The zone controller cards are not required and can damage the latch retraction units if used.
- The low current draw of each device allows both devices to operate simultaneously without the need for a sequencer.

Wire colors from provided Pigtail must connect to the same colors marked on PCB. If the Jacketed Cable does not have the same colors as the Pigtail, use the following chart to mark the color connections from Pigtail to Jacketed Cable to PCB.

<u>PIGTAIL</u>	<u>JACKETED CABLE</u>	<u>PCB</u>
BLACK	→	BLACK
RED	→	RED
WHITE	→	WHITE
GREEN	→	GREEN
ORANGE	→	ORANGE
BLUE	→	BLUE
BROWN	→	BROWN
YELLOW	→	YELLOW

WIRING FOR VON DUPRIN POWER SUPPLY

PAIR OF DEVICES



- Power the LR100VDK devices using the MAIN OUTPUT terminals. The zone controller cards are not required and can damage the latch retraction units if used.
- The low current draw of each device allows both devices to operate simultaneously without the need for a sequencer.

Wire colors from provided Pigtail must connect to the same colors marked on PCB. If the Jacketed Cable does not have the same colors as the Pigtail, use the following chart to mark the color connections from Pigtail to Jacketed Cable to PCB.

<u>PIGTAIL</u>	<u>JACKETED CABLE</u>	<u>PCB</u>
BLACK	→	BLACK
RED	→	RED
WHITE	→	WHITE
GREEN	→	GREEN
ORANGE	→	ORANGE
BLUE	→	BLUE
BROWN	→	BROWN
YELLOW	→	YELLOW