



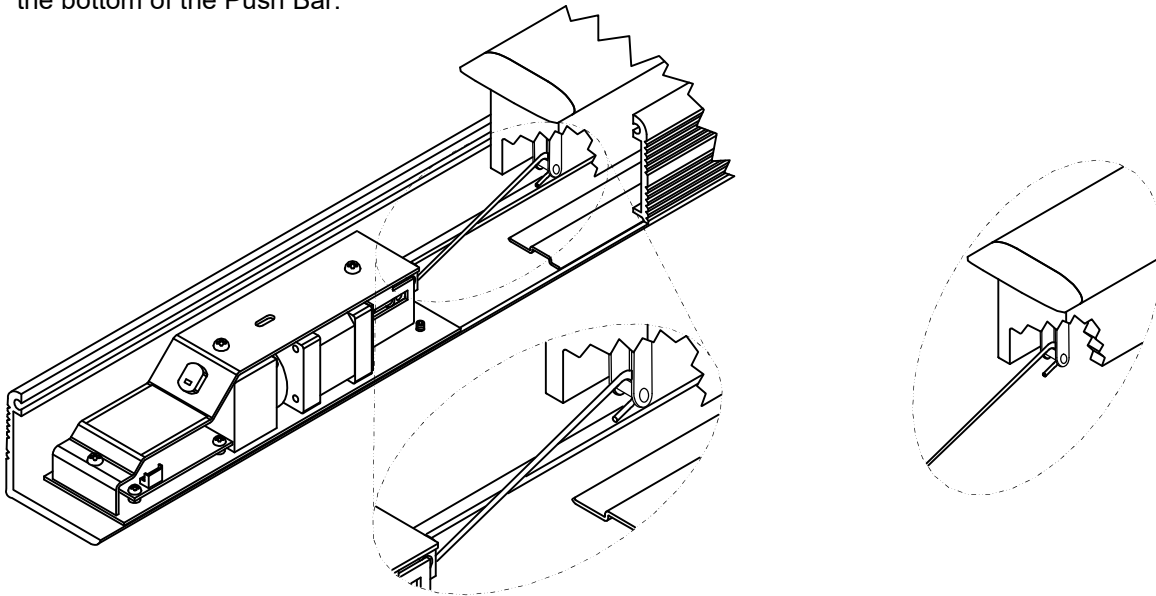
INSTALLATION INSTRUCTIONS

LR100MBSK ELECTRIC LATCH RETRACTION KIT MODELS: QF1100 & QF1200

Retrofit Installation Note: 42" or 48" exit devices that have been modified to fit a 36" or smaller opening, may not have the required space to fit the standard E. L. R. assembly. Always verify the distance from the end of the touchpad to the end rail, and if necessary, consult with the factory for appropriate selection.

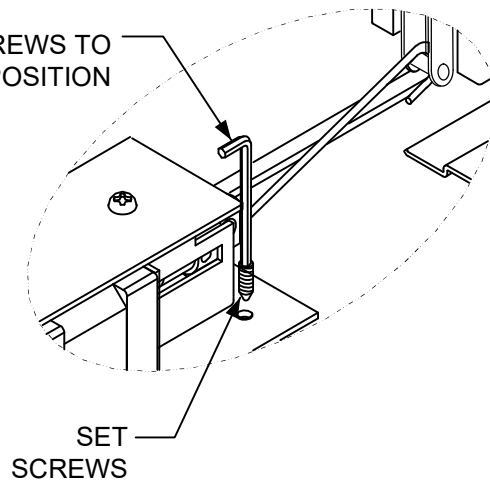
Attach the shorter end of link to the clevis of the Electric Latch Retraction assembly, then slide the assembly into the device and attach the larger open end of the linkage to the rod inside at the bottom of the Push Bar.

ELECTRICAL DATA
24VDC +/- 10%
1.5A Inrush / 200mA holding
RED (+) BLK (-)
PATENT #8,851,530



Back the assembly out until the linkage JUST makes contact with the latch retraction rod. Tighten set screws.

TIGHTEN SET SCREWS TO
LOCK DEVICE IN POSITION



NOTE Retro-Fitting Vertical Rod Devices:

Before retro-fitting an electric latch assembly into a vertical device, the following must be done to ensure proper alignment. Disconnect the vertical rods from the device. Install the electric latch assembly as shown above. Once the ELR is properly installed energize it so that the push pad is dogged down, by doing so it will allow for proper alignment for the vertical rods. Finally reconnect the vertical rods to the device and make the proper adjustments.

Any suggestions or comments to this instruction or product are welcome. Please contact us through our website or email engineer@sdsecurity.com