



INSTALLATION INSTRUCTIONS

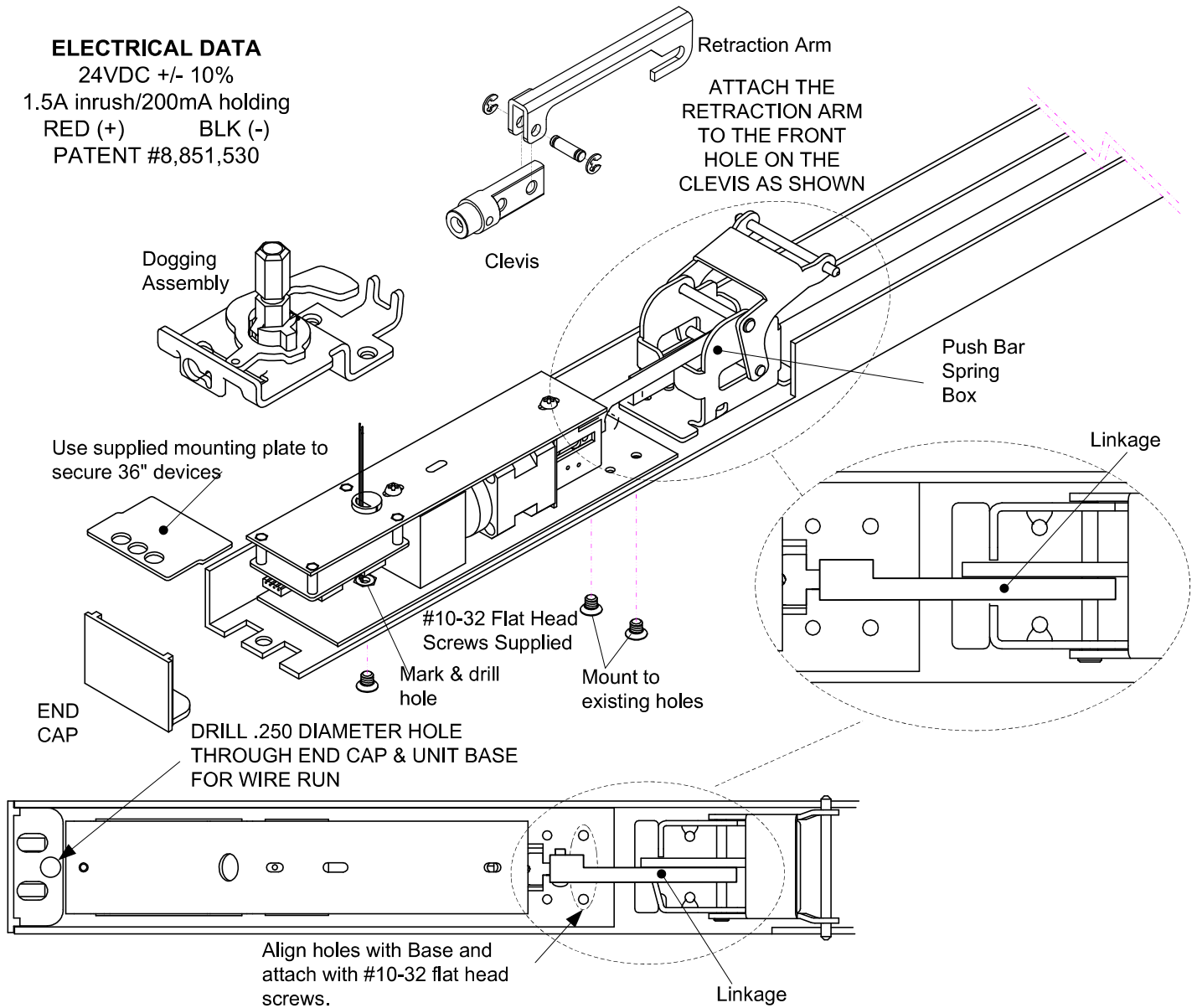
LR100FAK FALCON (Dor-O-Matic) ELECTRIC LATCH RETRACTION KIT MODELS: 1690 & 1790

Retrofit Installation Note: 42" or 48" exit devices that have been modified to fit a 36" or smaller opening, may not have the required space to fit the standard E. L. R. assembly. Always verify the distance from the end of the touchpad to the end rail, and if necessary, consult with the factory for appropriate selection.

Remove Push Bar. Remove Dogging Assembly. Slide the ELR unit into the device base. Align the first set of two holes over the two base unit holes and attach with the two #10-32 flat head screws supplied. Attach the Linkage to the device as shown. Re-attach the Push Bar.

ELECTRICAL DATA

24VDC +/- 10%
1.5A inrush/200mA holding
RED (+) BLK (-)
PATENT #8,851,530



When retrofitting to existing vertical rod devices, adjustment of the rods is required for proper operation of the Electric Latch Retractor. Once the unit is properly installed, energize it so the latch is dogged down, then reconnect the vertical rods to the device and make the proper adjustments.

USE TEMPLATE WHEN DEVICES ARE LONGER THAN 36" FOR ADDED STABILITY OF KIT.

ALIGN TEMPLATE TO EXISTING HOLES, FALCON/DOR-O-MATIC or FIRST CHOICE. MARK AND DRILL 1 HOLE FOR 10-32 FLT HD

