



INSTALLATION INSTRUCTIONS

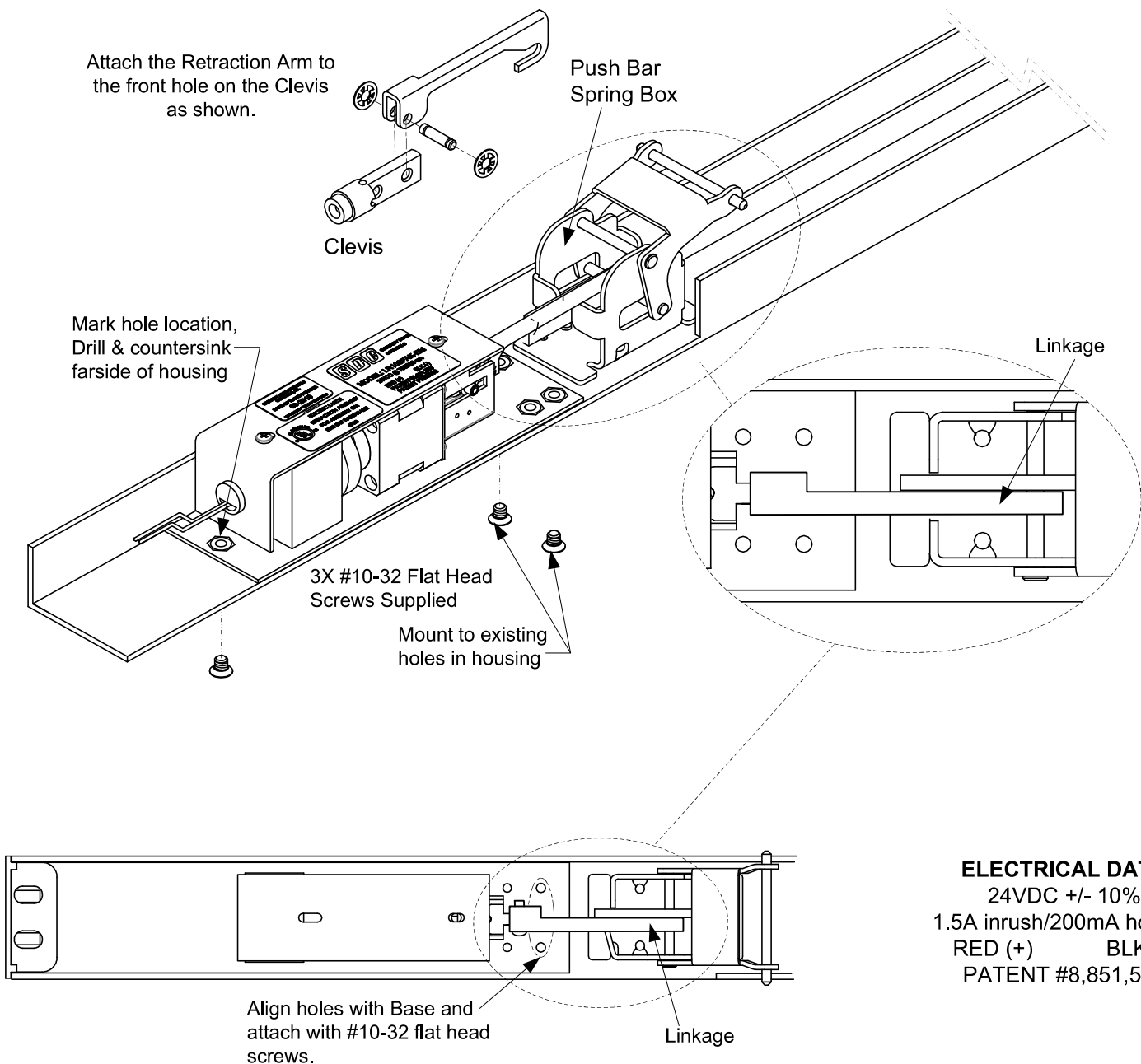
LR100FAK-EM

ELECTRIC LATCH RETRACTION KIT

EXTERNAL MODULE FALCON (Dor-O-Matic) MODELS: 1690 & 1790

Retrofit Installation Note: 42" or 48" exit devices that have been modified to fit a 36" or smaller opening, may not have the required space to fit the standard E. L. R. assembly. Always verify the distance from the end of the touchpad to the end rail, and if necessary, consult with the factory for appropriate selection.

Remove Push Bar. Remove Dogging Assembly. Slide the ELR unit into the device base. Align the first set of two holes over the two base unit holes and attach with the two #10-32 flat head screws supplied. Attach the Linkage to the device as shown. Re-attach the Push Bar.

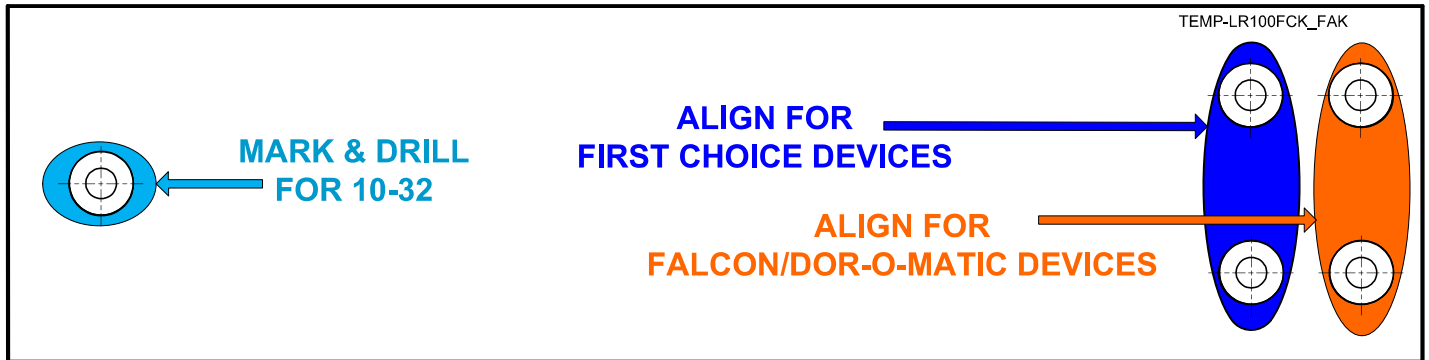


ELECTRICAL DATA
 24VDC +/- 10%
 1.5A inrush/200mA holding
 RED (+) BLK (-)
 PATENT #8,851,530

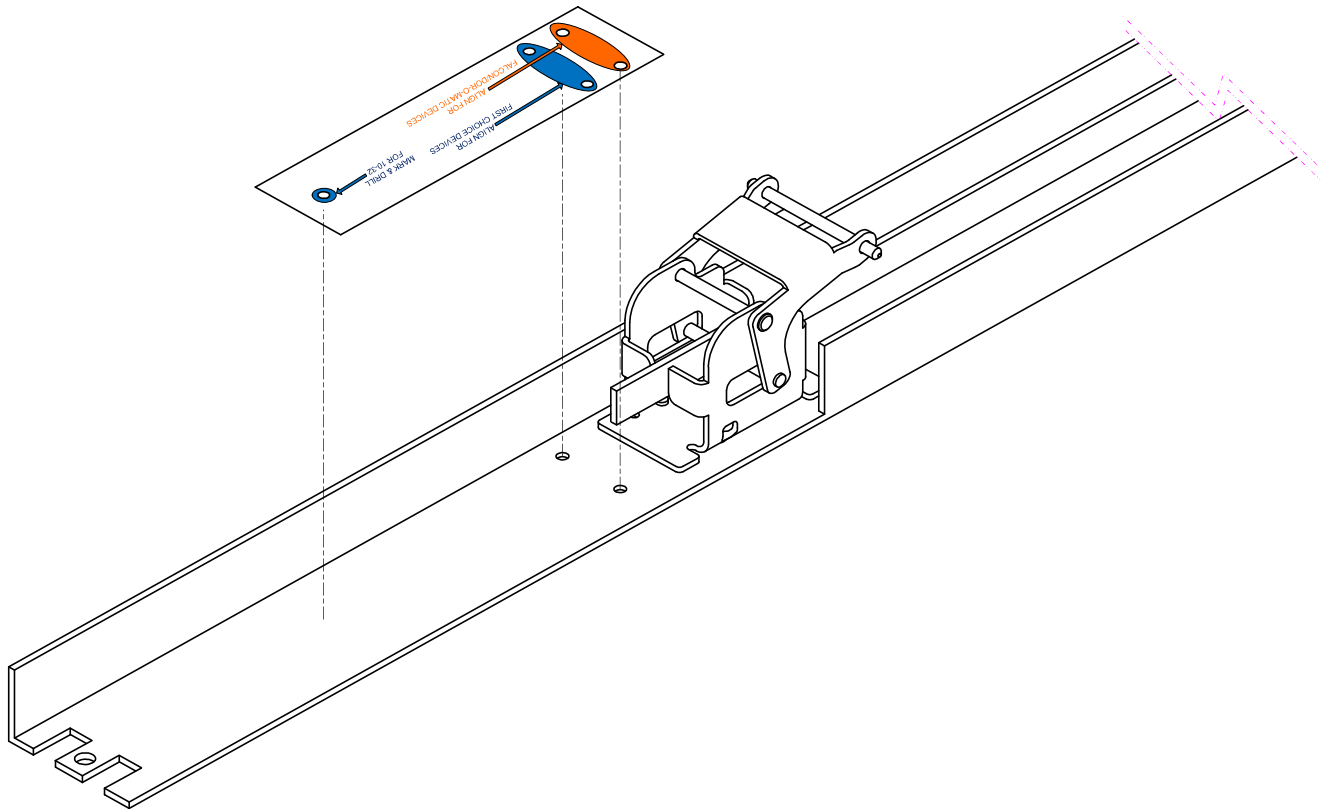
Any suggestions or comments to this instruction or product are welcome. Please contact us through our website or email engineer@sdsecurity.com

Align Template to existing holes on either a Falcon/Dor-O-Matic or First Choice Device.

Mark and drill 1 hole for 10-32 Flat Head Screw.

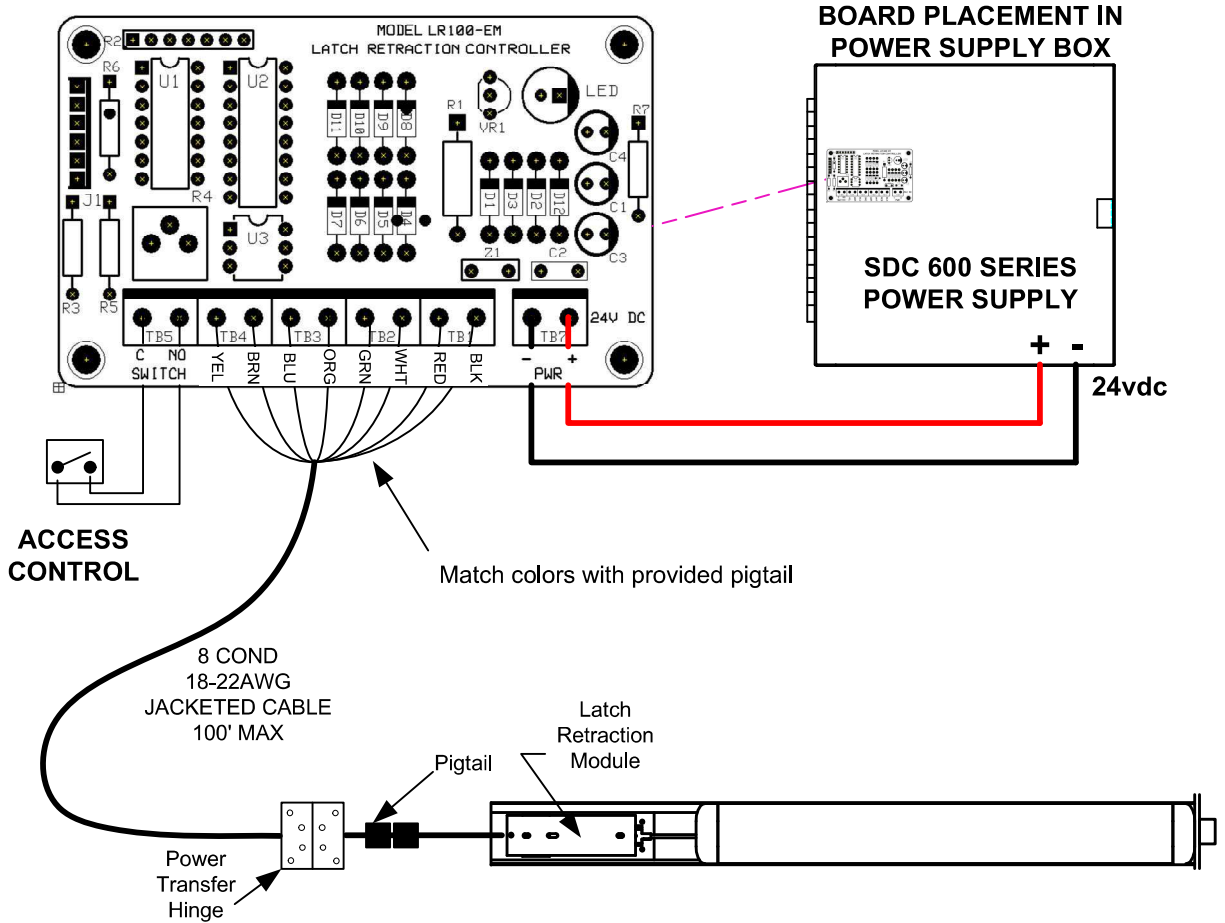


Reference image only. Use provided 1:1 scale template.



NOTE Retro-Fitting Vertical Rod Devices:

Before retro-fitting an electric latch assembly into a vertical device, the following must be done to ensure proper alignment. Disconnect the vertical rods from the device. Install the electric latch assembly as shown above. Once the ELR is properly installed energize it so that the push pad is dogged down, by doing so it will allow for proper alignment for the vertical rods. Finally reconnect the vertical rods to the device and make the proper adjustments.



Wire colors from provided Pigtail must connect to the same colors marked on PCB. If the Jacketed Cable does not have the same colors as the Pigtail, use the following chart to mark the color connections from Pigtail to Jacketed Cable to PCB.

<u>PIGTAIL</u>	<u>JACKETED CABLE</u>	<u>PCB</u>
BLACK	→	BLACK
RED	→	RED
WHITE	→	WHITE
GREEN	→	GREEN
ORANGE	→	ORANGE
BLUE	→	BLUE
BROWN	→	BROWN
YELLOW	→	YELLOW