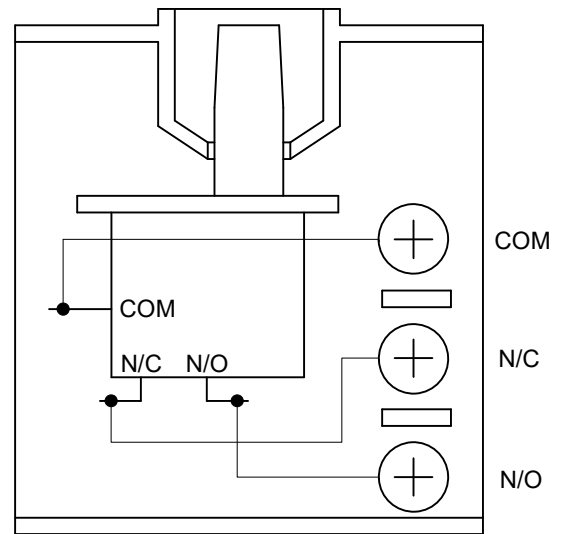
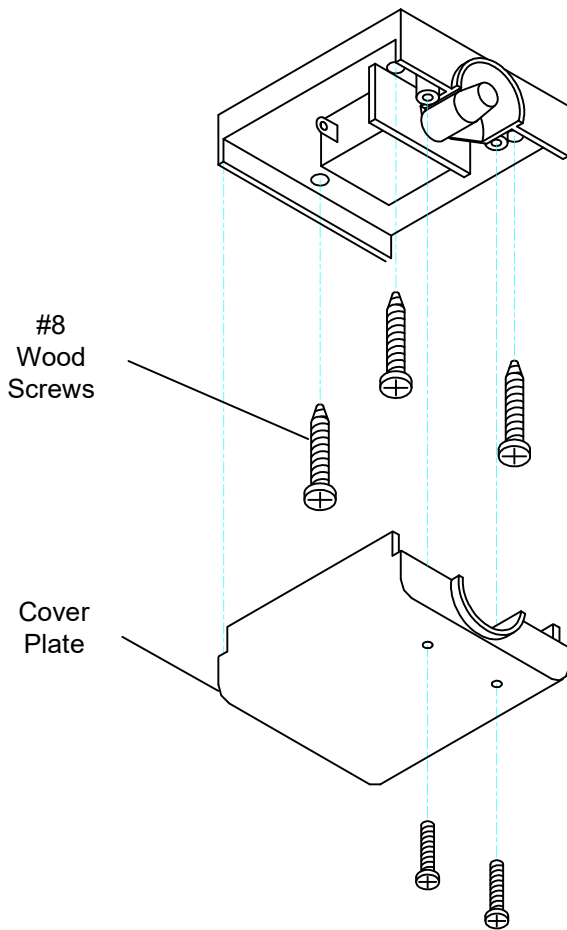




# INSTALLATION INSTRUCTIONS

## D15-2 CONCEALED REMOTE DESK SWITCH MOMENTARY SPDT PUSH SWITCH

Remove the 2 screws from the cover plate to obtain access to the mounting holes. Use the supplied #8 wood screws to fasten desk switch.



### ELECTRICAL SPECIFICATION

Switch Rating  
4 amps @ 24 vdc  
(Resistive)