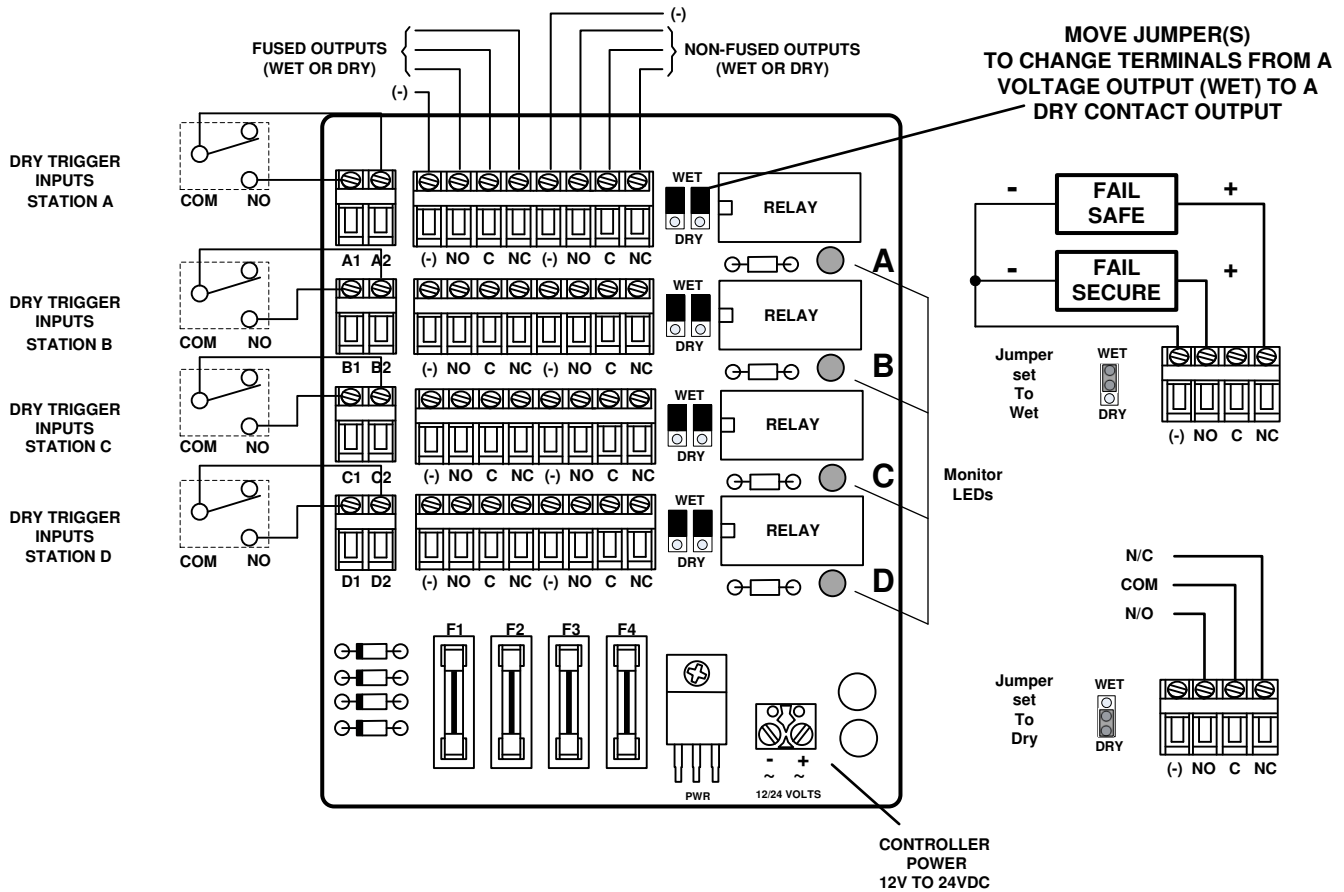


# INSTALLATION INSTRUCTIONS

## CR4 FOUR STATION CONTROL RELAY MODULE

The CR4 module operates on 12V or 24V DC and provides control of four (4) stations. Each CR4 station accepts a Dry (NO) trigger input and provides one (1) Fused 2 Amp SPDT Output (jumper selectable Wet or Dry) and one (1) Non-fused Dry (2 Amp) SPDT output (jumper selectable Wet or Dry). Closing a switch across the Dry Trigger Input for Station A, B, C or D will release the output for the amount of time that the trigger input is held closed. The CR4 module can be used to indicate status or implement multiple door interlocks.



**Controller Dimensions:** 4.25" x 3.40" x 5/8" (107.95mm x 86.36mm x 15.875mm)

**Controller Input Voltage:** 12V or 24VDC or AC

**Controller Current Draw:** 150mA Maximum

**Controller Stations:** Four (4) Independent Stations

**Control Inputs (Per Station):** One (1) (Normally-Open Dry Contact Required)

**Controller Outputs (Per Station):** One (1) SPDT Fused Wet or Dry Output (field-selectable)  
One (1) SPDT Non Fused Wet or Dry Output (field-selectable)

Note: Output voltage is determined by input voltage

**Relay Contact Ratings:** 2 Amp @ 30VDC (resistive)