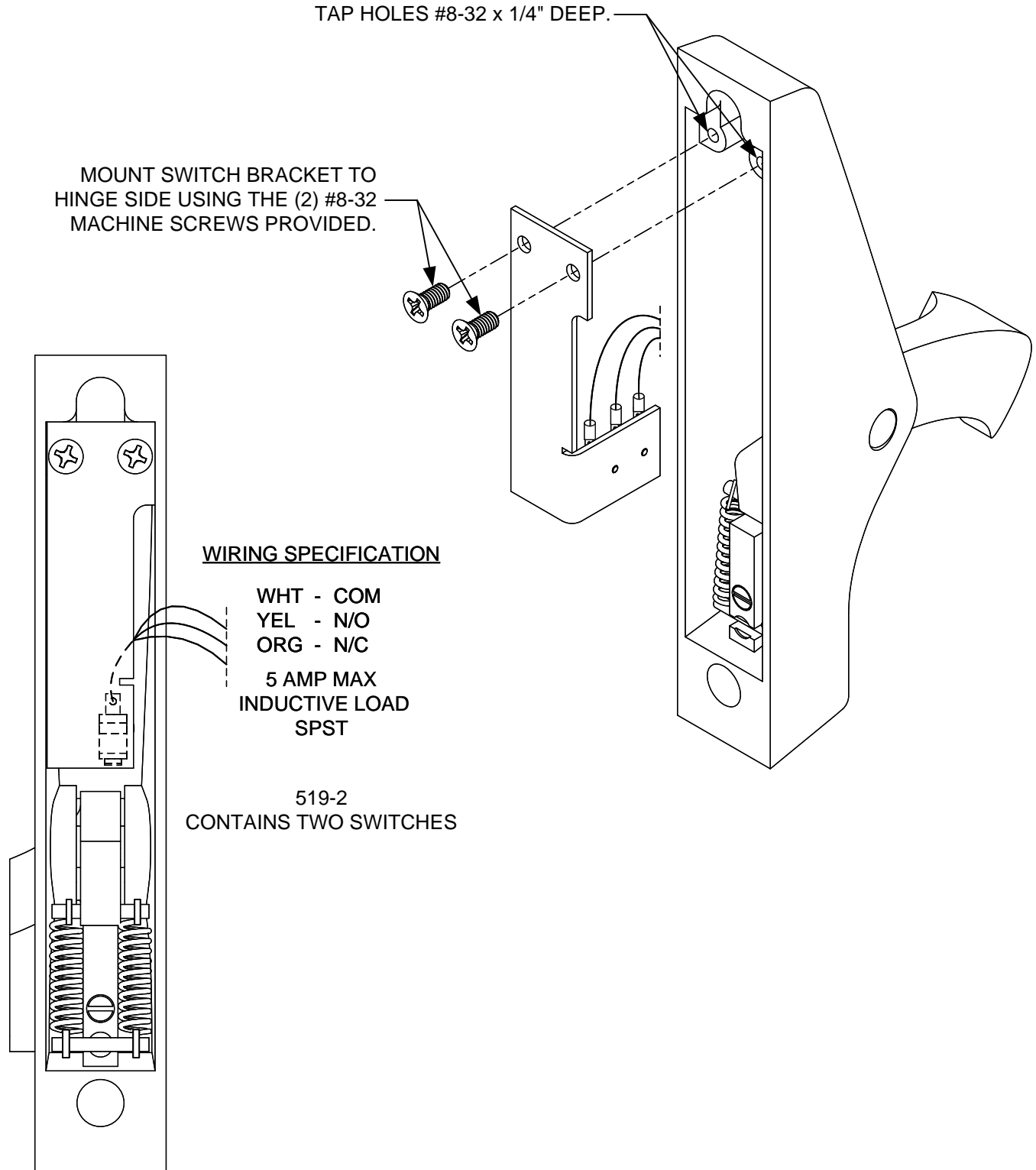




# INSTALLATION INSTRUCTIONS

## 519 MONITORING SWITCH KIT JACKSON 1085 & 1095 SERIES



Any suggestions or comments to this instruction or product are welcome. Please contact us through our website or email engineer@sdsecurity.com