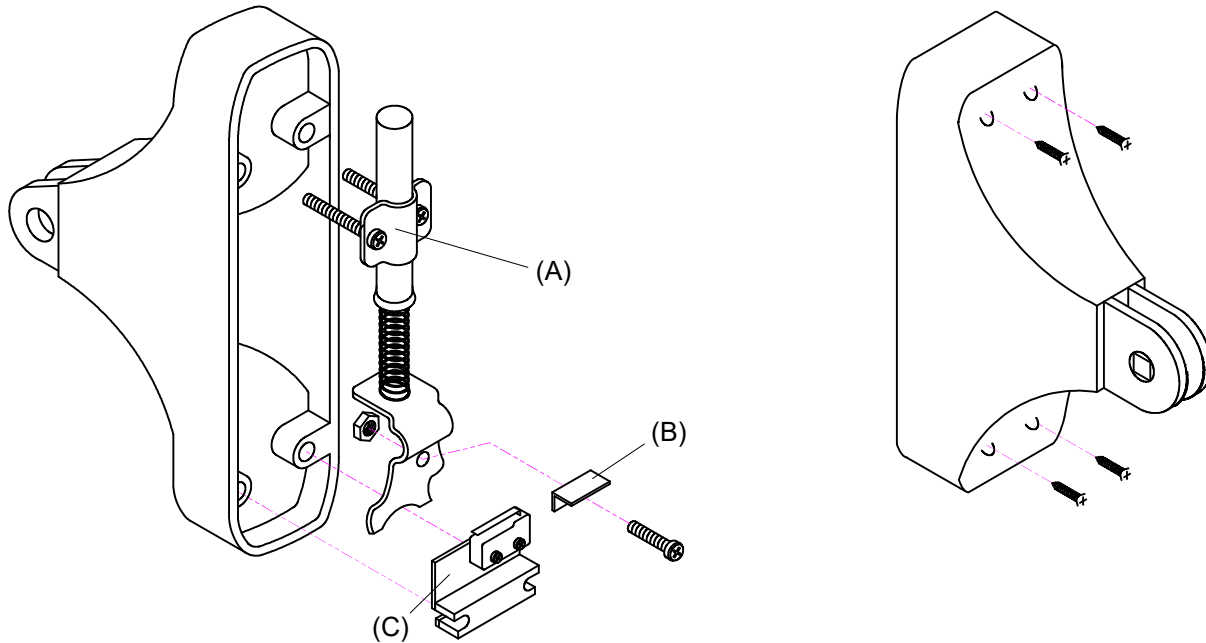




# INSTALLATION INSTRUCTIONS

## 512 MONITORING SWITCH KIT VON DUPRIN 88 SERIES



### WIRING SPECIFICATION

COM - WHT  
N/O - YEL  
N/C - ORG  
5AMP MAX  
RESISTIVE

1. Connect Wires.
2. Remove Bracket (A) to remove spring assembly.
3. Mount switch bracket (B), using screw and nut.
4. Place spring assembly back into housing.
5. Position switch assembly (C) as shown and secure to door.