



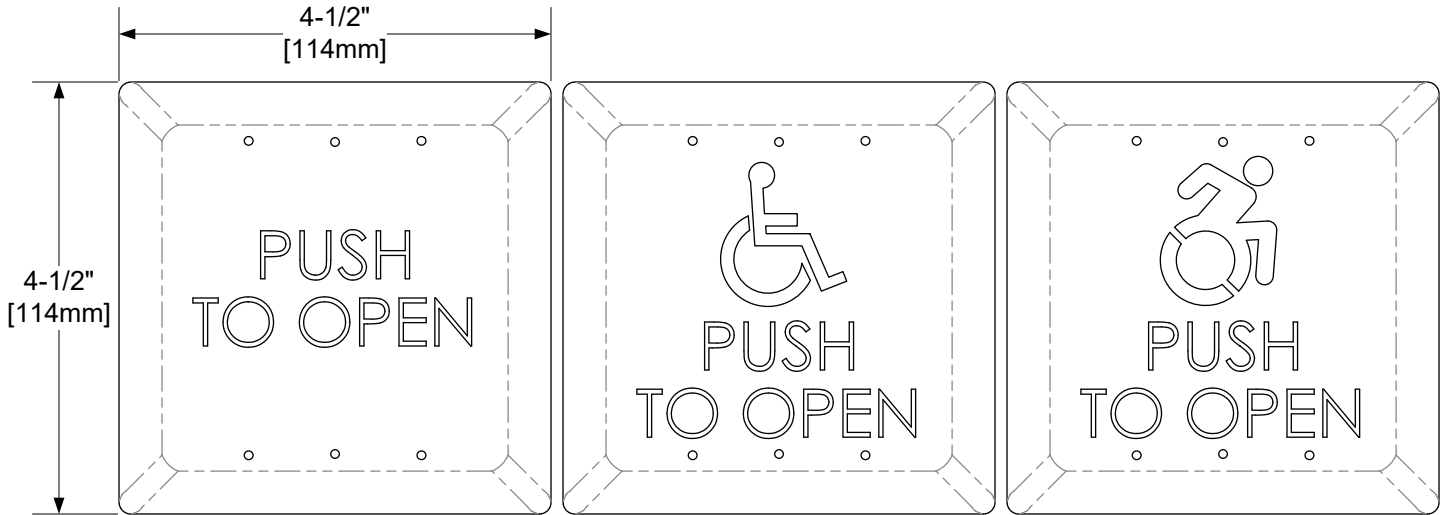
INSTALLATION INSTRUCTIONS

480-4

4-1/2" SQUARE PUSH PLATE SWITCH

482O4U / 482A4U / 482B4U /

484O4U / 484A4U / 484B4U



482O4U (SPDT) /
484O4U (DPDT)

482A4U (SPDT) /
484A4U (DPDT)

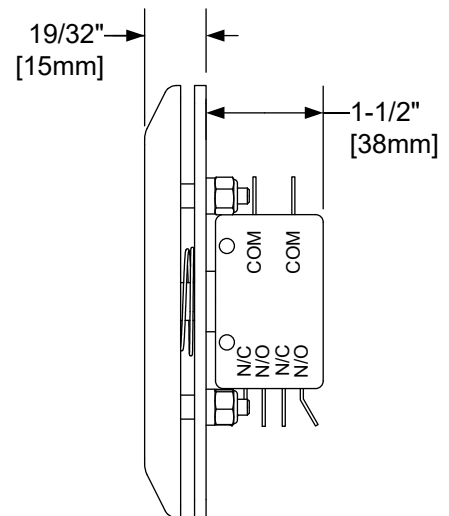
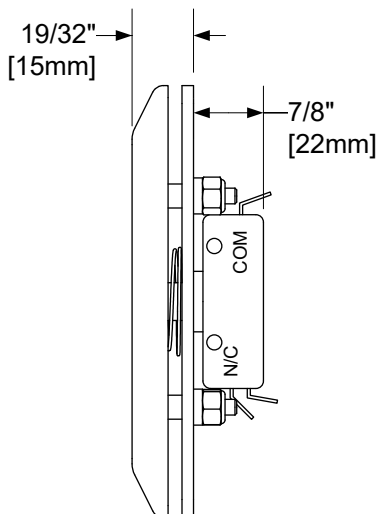
482B4U (SPDT) /
484B4U (DPDT)

482O4U / 482A4U / 482B4U Specifications:

Physical Size: 4-1/2"sq x 1-7/16"
Contact Type: SPDT - Momentary
Contact Rating: 2 Amp @ 48 VDC
15 Amp @ 125/250 VAC

484O4U / 484A4U / 484B4U Specifications:

Physical Size: 4-1/2"sq x 2-1/16"
Contact Type: DPDT - Momentary
Contact Rating: 15 Amp @ 125/250 VAC



*Switch mounts to a standard Single Gang (2" x 4") or Double Gang (4" x 4") electrical box. Compatible with SDC supplied 480-SSB Surface Mount Box and 480-SFB Flush Mount box.

Any suggestions or comments to this instruction or product are welcome. Please contact us through our website or email engineer@sdsecurity.com