



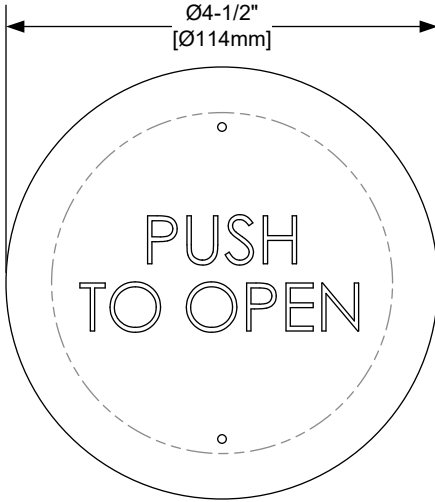
INSTALLATION INSTRUCTIONS

480-4R

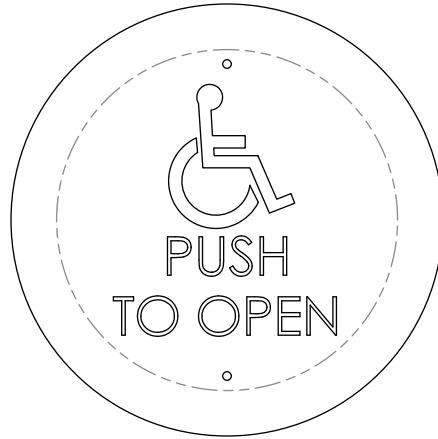
4-1/2" ROUND PUSH PLATE SWITCH

482O4RU / 482A4RU / 482B4RU /

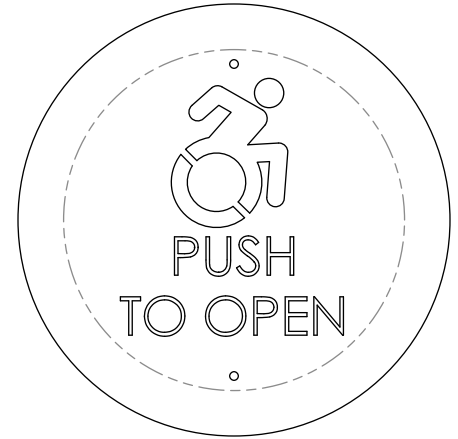
484O4RU / 484A4RU / 484B4RU



482O4RU (SPDT) /
484O4RU (DPDT)



482A4RU (SPDT) /
484A4RU (DPDT)



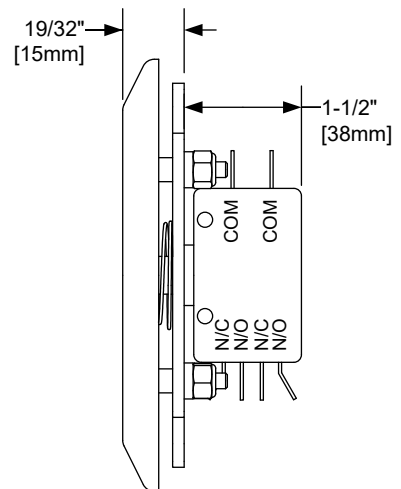
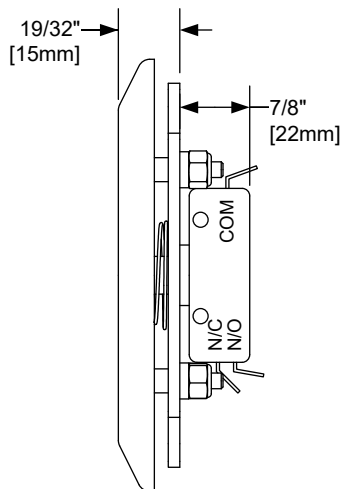
482B4RU (SPDT) /
484B4RU (DPDT)

482O4RU / 482A4RU / 482B4RU Specifications:

Physical Size: 4-1/2" Dia x 1-7/16"
Contact Type: SPDT - Momentary
Contact Rating: 2 Amp @ 48 VDC
15 Amp @ 125/250 VAC

484O4RU / 484A4RU / 484B4RU Specifications:

Physical Size: 4-1/2" Dia x 1-7/16"
Contact Type: DPDT - Momentary
Contact Rating: 15 Amp @ 125/250 VAC



*Switch mounts to a standard Single Gang (2" x 4") or Double Gang (4" x 4") electrical box (for Double Gang installation, use supplied adapter plate and screws). Compatible with SDC supplied 480-4RSB Surface Mount Box and 480-4RFB Flush Mount box.

Any suggestions or comments to this instruction or product are welcome. Please contact us through our website or email engineer@sdsecurity.com