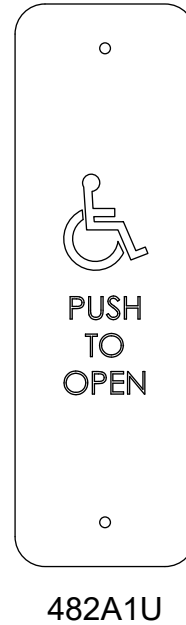
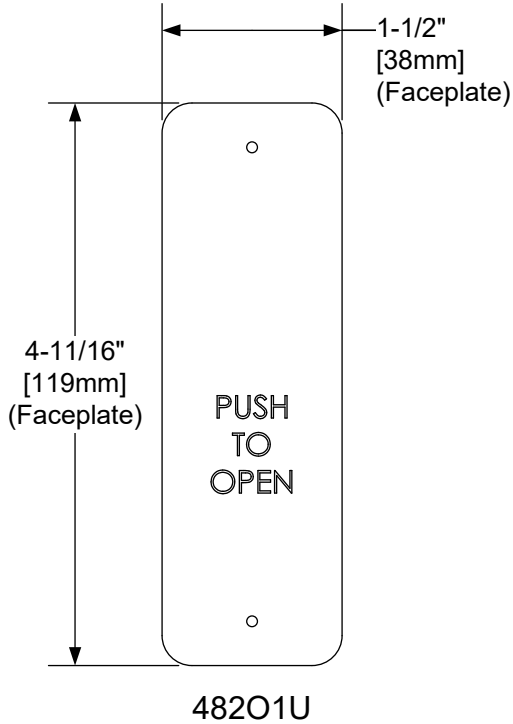




INSTALLATION INSTRUCTIONS

480-1 NARROW PUSH PLATE SPDT SWITCH 48201U / 482A1U

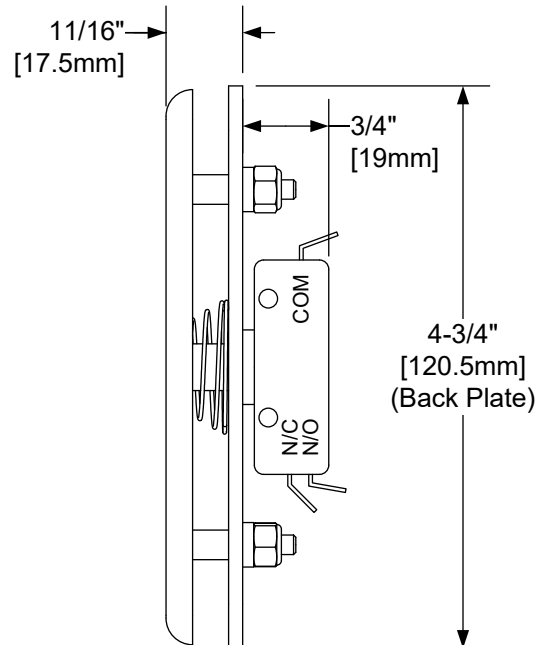


Specification:

Physical Size: 1-1/2" x 4-11/16" x 1-7/16"

Contact Type: SPDT - Momentary

Contact Rating: 2 Amp @ 48 VDC
15 Amp @ 125/250 VAC



*Switch mounts to custom Narrow Gang prep (see supplied template). Compatible with SDC supplied 480-1SB Surface Mount Box and 480-1FB Flush Mount Box.

Any suggestions or comments to this instruction or product are welcome. Please contact us through our website or email engineer@sdsecurity.com