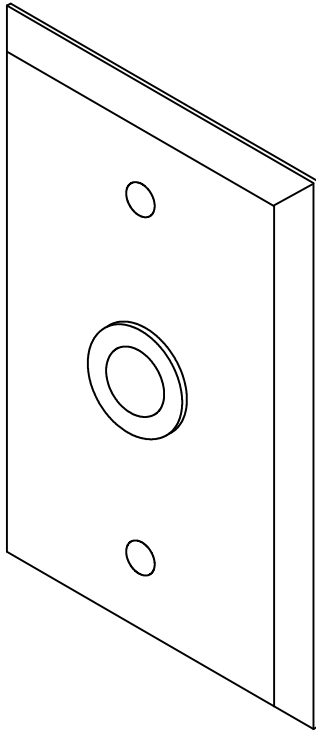




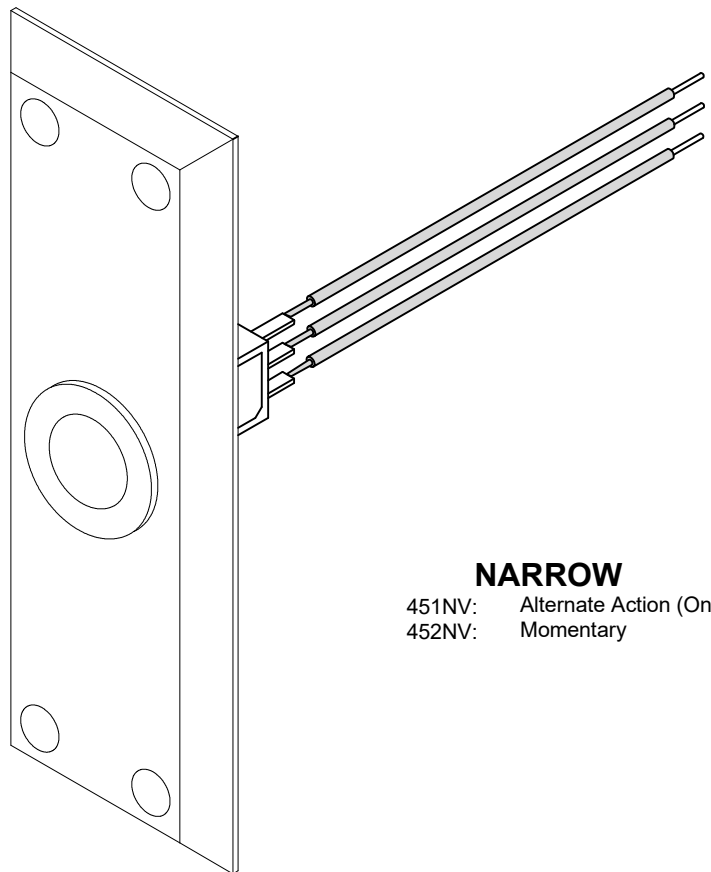
INSTALLATION INSTRUCTIONS

450 SERIES VANDAL RESISTANT PUSH SWITCH



STANDARD

451V: Alternate Action (On/Off)
452V: Momentary

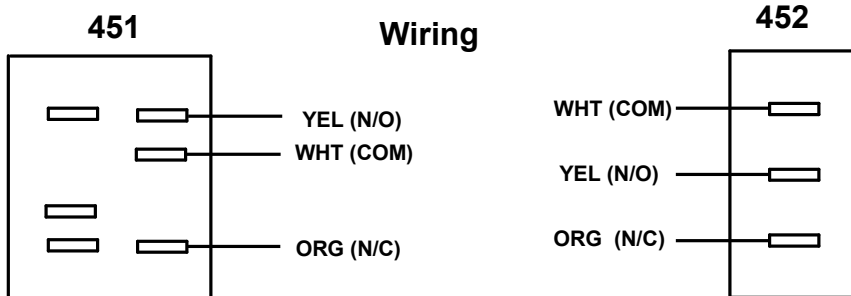


NARROW

451NV: Alternate Action (On/Off)
452NV: Momentary

Electrical Specifications

Contact Type: SPDT (Form C)
Contact Ratings: 30VDC @ 5 AMPS (Resistive)



Any suggestions or comments to this instruction or product are welcome. Please contact us through our website or email engineer@sdsecurity.com