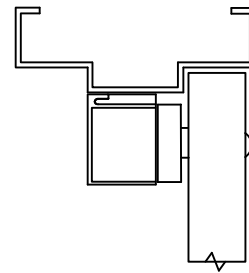
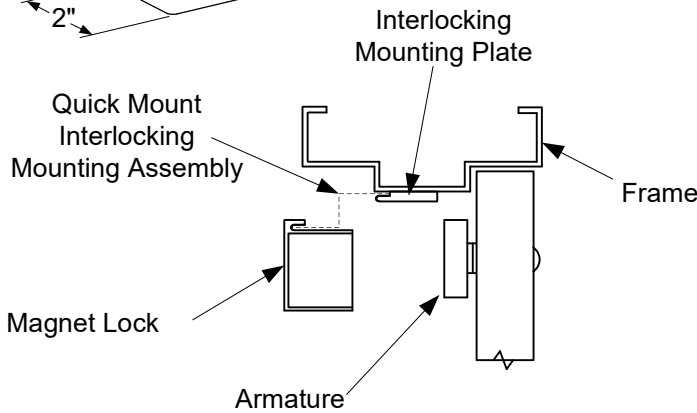
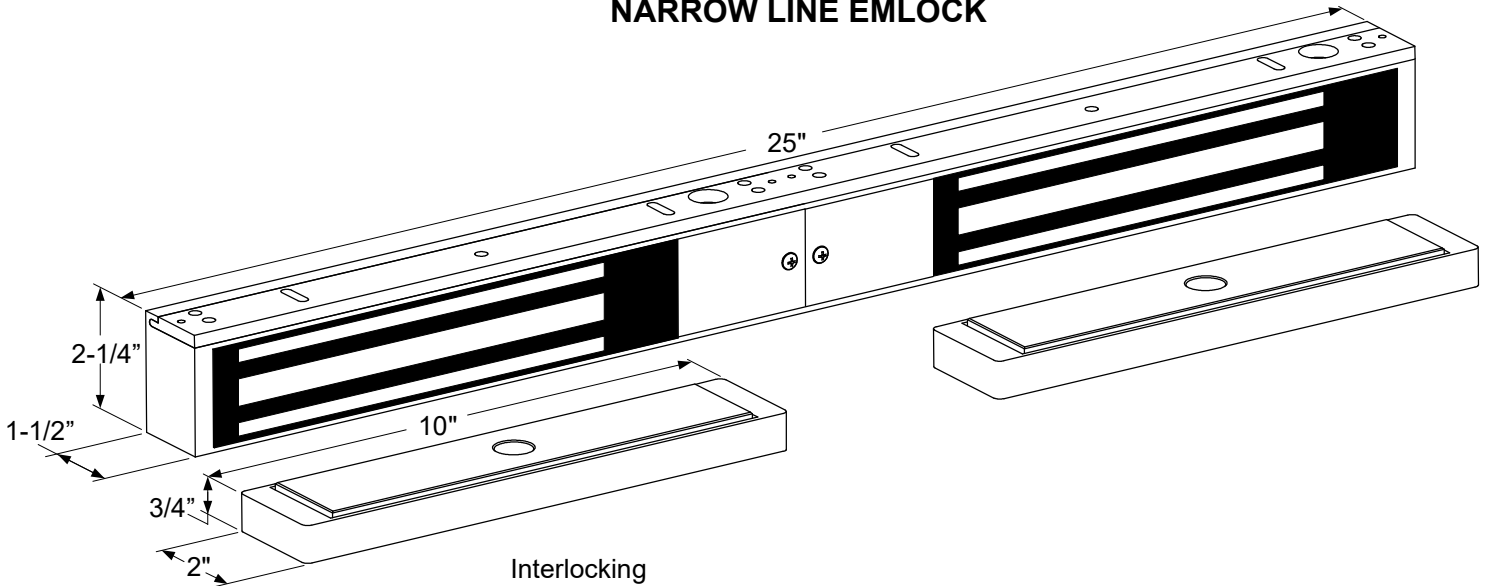




INSTALLATION INSTRUCTIONS

352 NARROW LINE EMLOCK



Outswing

Electrical Instructions:

Use properly fused U. L. Listed Power Supply

Do not install a diode in parallel with any magnetic lock. A diode will cause a delay when releasing the door and residual magnetism to occur.

Access controls and/or release contacts must be located in series with the positive (+) power lead of the EmLock.

Any low voltage condition will cause erratic operation of the optional board sensor.

Although SDC recommends the use of a Regulated DC power supply, a significant voltage drop will occur when using a full wave bridge rectifier.

Installation Location – Indoor Dry use only

SIGNALING



PATENT NO. 5,376,910

Electrical Specifications:

Dual Voltage: 12 or 24VDC

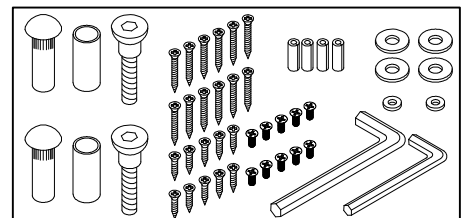
Power Consumption: 1120mA@12VDC
618mA@24VDC

DS Door Status Sensor: SPDT, 250mA@24VDC

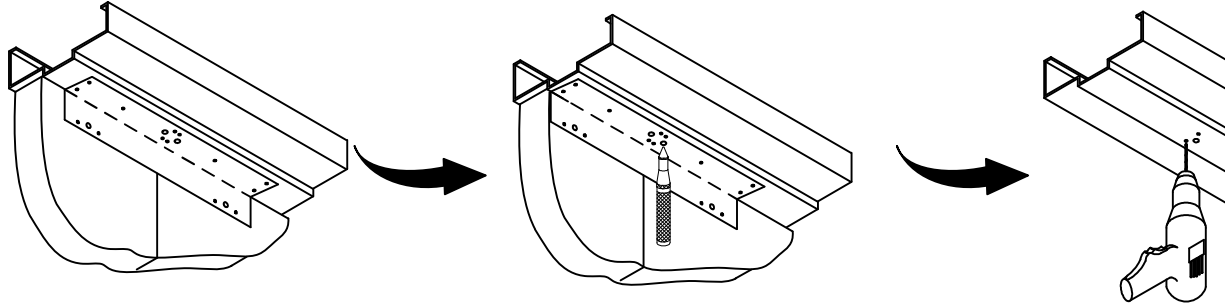
LS Lock Status Sensor: SPDT, 1A@24VDC

Resistive

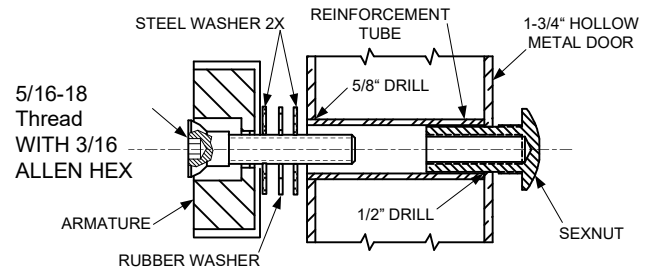
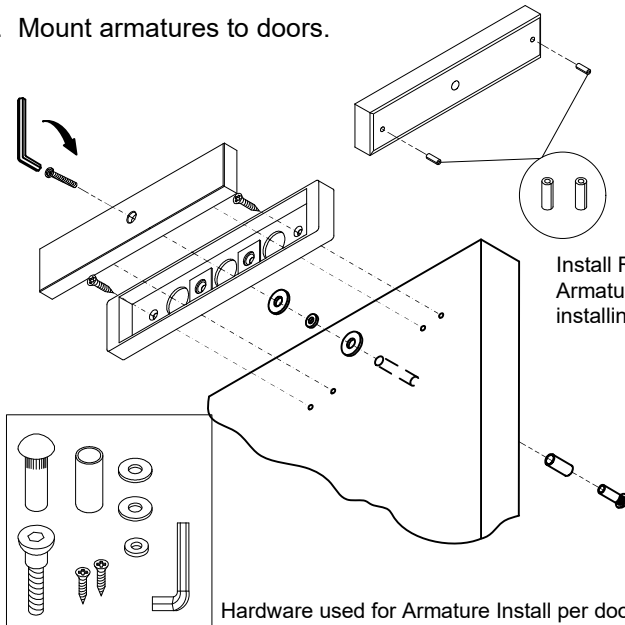
Supplied Mounting Hardware



1. Fold template as indicated on dotted line. For double doors center template against the doors and header.
2. Mark and drill holes as indicated by the template.



3. Mount armatures to doors.

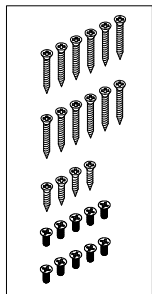


HOLLOW METAL DOOR

From Sexnut side of door, drill exactly 1/2" hole thru one metal thickness only. From Armature side of door, drill 5/8" hole to insert reinforcement tube. Press in sexnut and reinforcement tube all the way and mount armature to door using hardware provided.

4. Install the Interlocking Mounting Plate to frame. Loosely fasten the 1/2" self drilling screws to the Mounting Plate as shown below. Temporarily install the lock onto Mounting Plate and adjust the Mounting Plate and lock to the armature spacing between the door and frame. Once adjusted remove lock and tightly fasten all mounting screws. Use the appropriate mounting screw based on frame type.

Hardware used to install Interlocking Mounting Plates



For wood frame install use supplied 1-1/4" wood screws.

Use the supplied 1/2" screws to adjust the interlocking mounting plate.

For metal frame install use supplied (M5 x 4mm) machine Screws

