



INSTALLATION INSTRUCTIONS

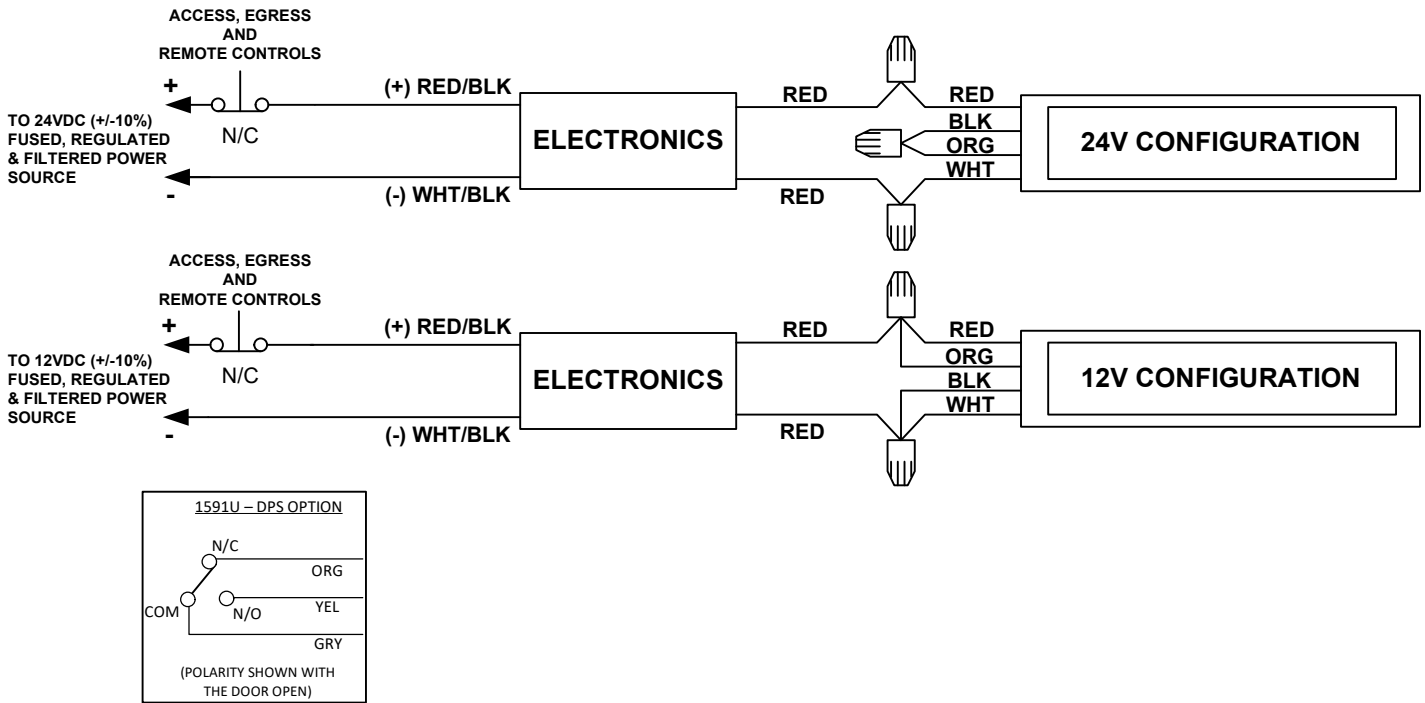
1591U EMLOCK®

1. Prepare door jamb for EMLock per dimensional reference on page 2.
2. Locate armature and mounting tabs as shown.
3. Center Armature Plate to the centerline of the lock. The cutout for the armature must be 1-1/2" wide by 6-1/2" long.
4. Install Armature plate by either installing a reinforcement plate (Not provided) or an optional AMP (Armature Mounting Plate) for wood doors. A 5/8" pocket is required measured from the leading edge of metal doors. A reinforcement plate isn't required on most installs and can be provided by a door fabricator.

NOTE: The AMP mounting plate is an optional product and available by SDC. The AMP mounting plate is used to reinforce the mortise cutout into a wood door. It is secured to the door by the use of four (4) #10 wood screws and secures the EMLock armature to the mounting plate by use of a 5/16"-18 x 3/4" threaded bolt.

5. Attach the EMLock wire leads to a power source and then install the EMLock and armature using the screws provided.

SYSTEM WIRING



IMPORTANT WIRING INFORMATION:

Use the system wiring diagram to configure the EMLock for 12 VDC or 24 VDC operation.

Although using a DC power supply is recommended, a transformer with a bridge rectifier may also be used as a DC power source. If you are using a transformer and rectifier, a transformer with the correct output voltage must be used. Access controls must not be wired to the AC side of the bridge rectifier or power supply. Access controls must always be wired to break the DC side of the power source.

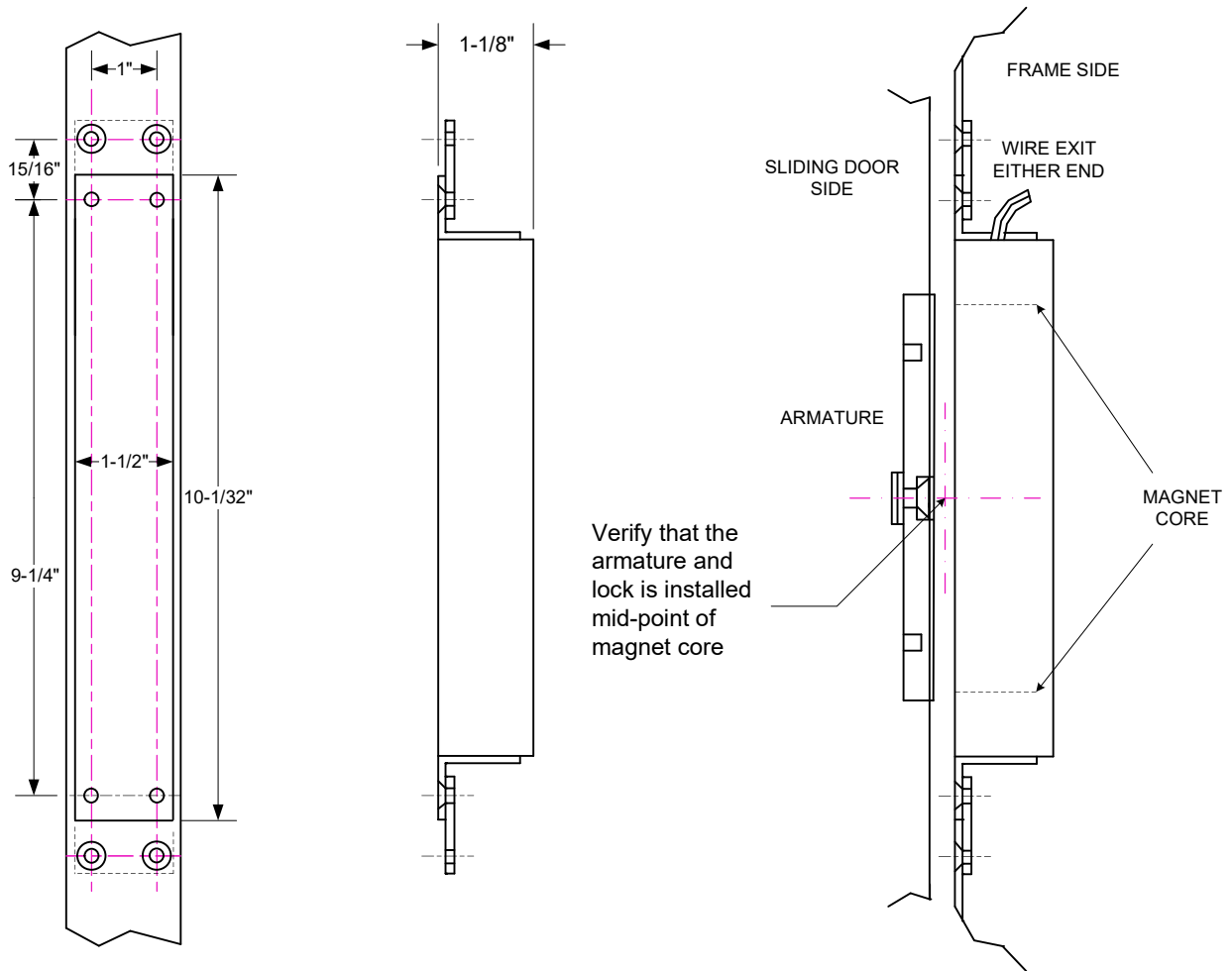
Any suggestions or comments to this instruction or product are welcome. Please contact us through our website or email engineer@sdsecurity.com



METAL FRAME PREP FOR LOCK DIMENSIONAL REFERENCE ONLY

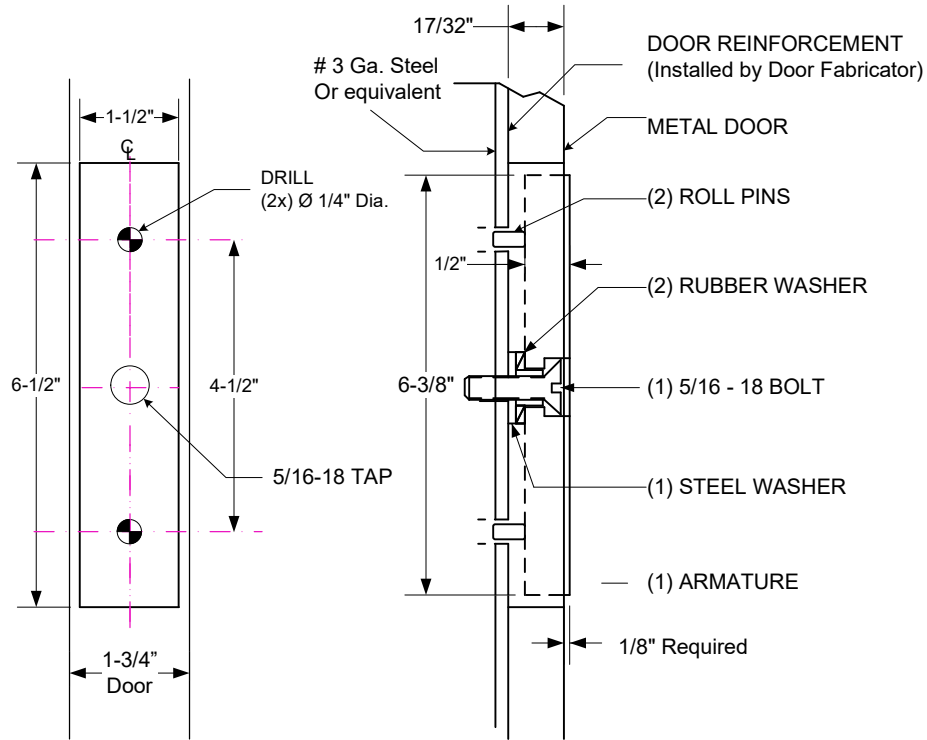
Mount the lock across centerline of door.

FRAME PREP

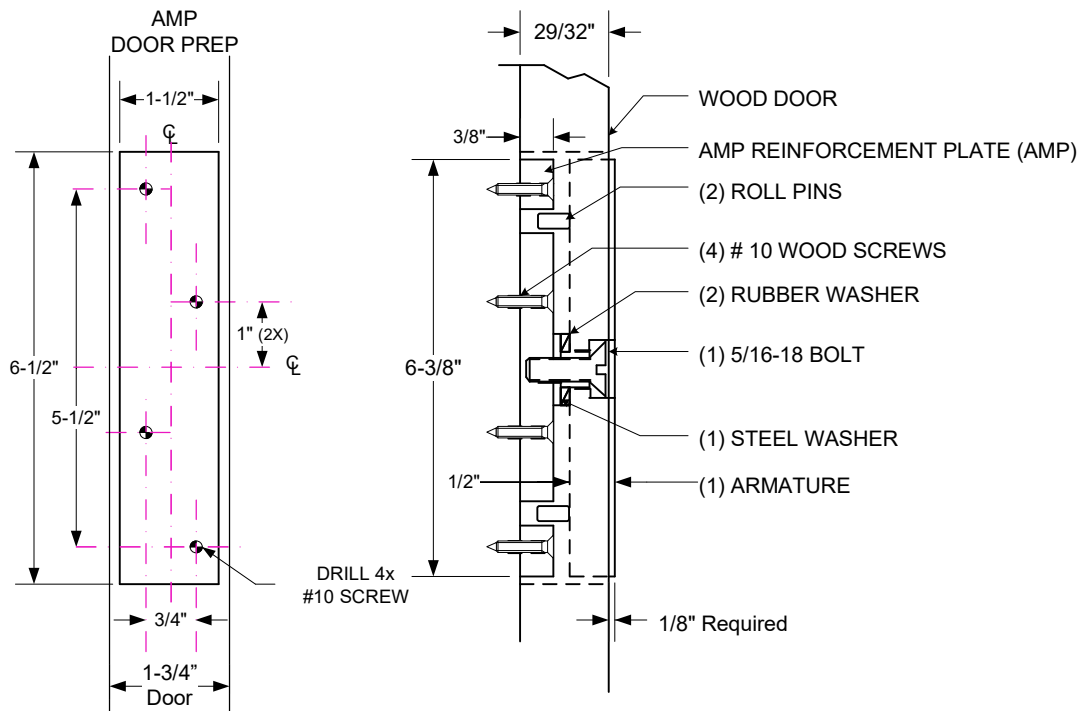


DOOR PREP FOR ARMATURE DIMENSIONAL REFERENCE ONLY

METAL / ALUMINUM DOOR PREP CUTOUT



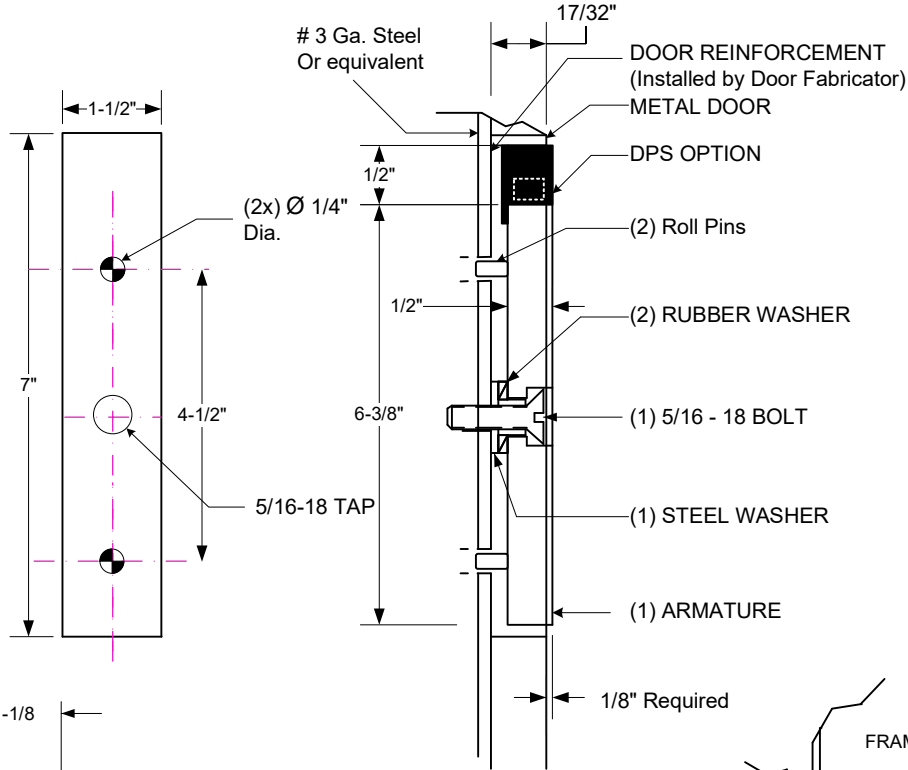
WOOD OPTIONAL AMP DOOR PREP CUTOUT



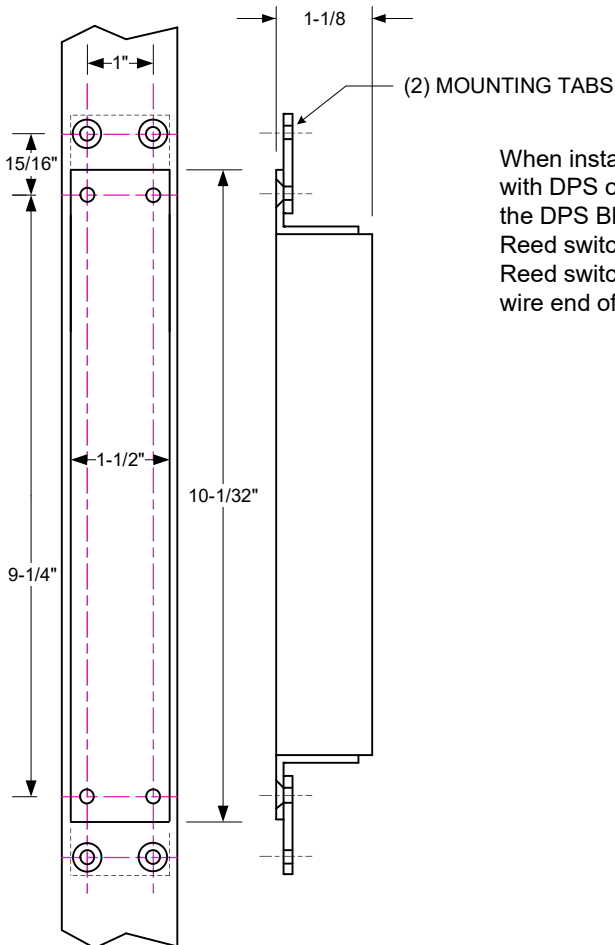


METAL DOOR & FRAME PREP FOR LOCK & ARMATURE W/DPS DIMENSIONAL REFERENCE ONLY

METAL / ALUMINUM DOOR PREP W/DPS OPTION

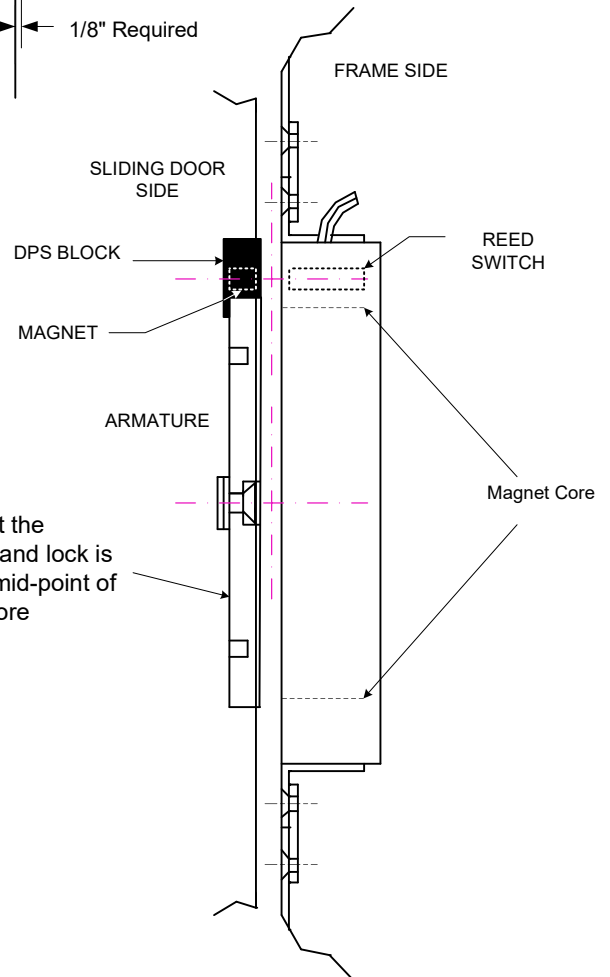


FRAME PREP W/DPS OPTION



When installing armature with DPS option, assure that the DPS Block aligns with the Reed switch on magnet core. Reed switch is located near wire end of lock

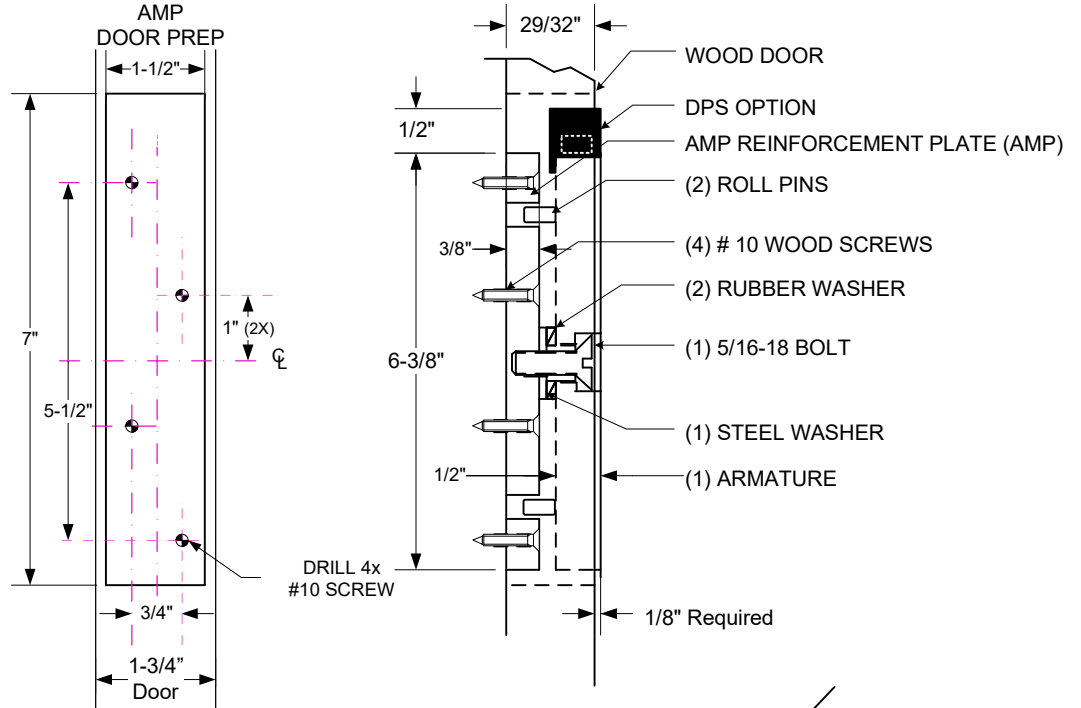
Verify that the armature and lock is installed mid-point of magnet core



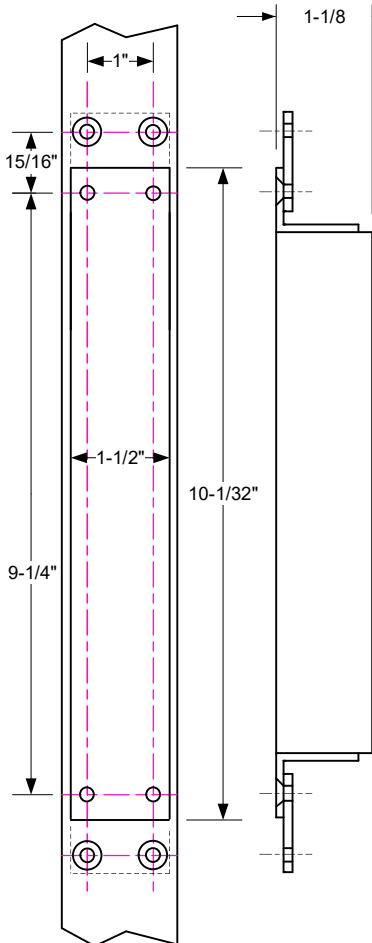


WOOD DOOR & METAL FRAME PREP FOR LOCK & ARMATURE W/DPS DIMENSIONAL REFERENCE ONLY

WOOD DOOR PREP W/DPS OPTION & OPTIONAL AMP



METAL FRAME PREP W/DPS OPTION



When installing armature with DPS option, assure that the DPS Block aligns with the Reed switch on magnet core. Reed switch is located near wire end of lock

Verify that the armature and lock is installed mid-point of magnet core

