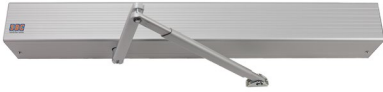


HANDS FREE DOOR SOLUTIONS™

ADA Compliant Latch Retraction Exit Device Application

1 AUTO Series

Low Energy Swing Door Operators



- Easy one-man installation
- Single button, self-tuning setup
- Built-in 1 Amp power supply
- On-board lock sequencing
- Hold open feature

2 470 Series

No Touch Switches



- WAVE-TO-OPEN
- IR sensing technology
- Wave activation up to 5"
- Illuminated dual LED sensor (red/green)

3 480 Series

ADA Actuators



- PUSH-TO-OPEN plates
- HDPE antimicrobial options
- Single or double gang
- Round and narrow options
- Recessed, surface, and bollard mounting

4 920 Series

Access Control Keypads



- Built-in prox readers
- Indoor/outdoor use
- Surface or single-gang mount
- Heavy cast vandal resistant housing

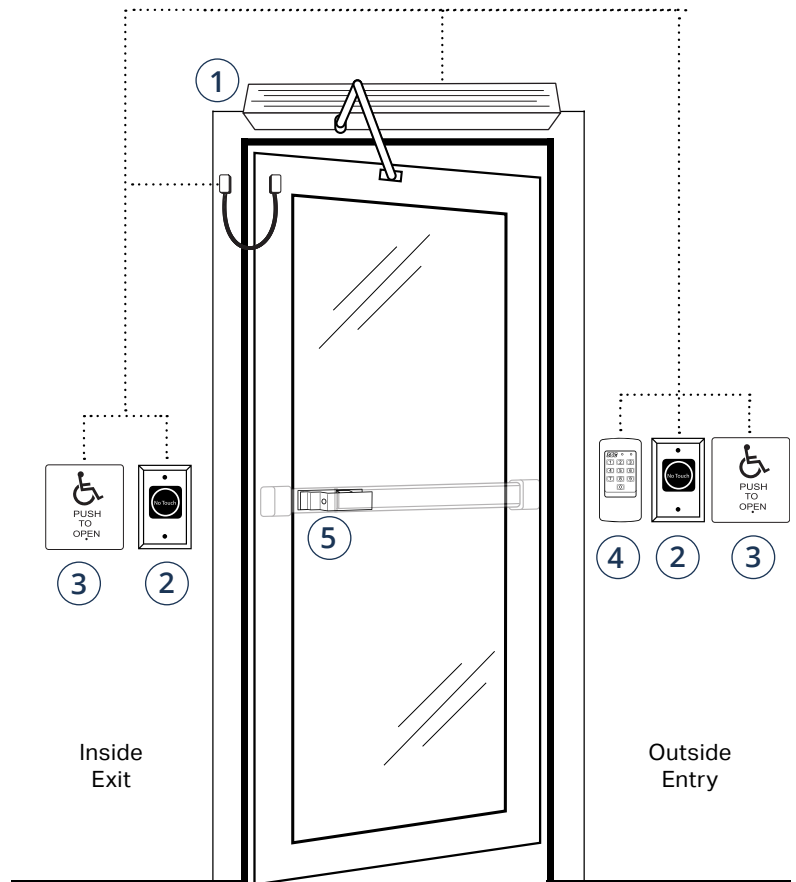
5 LR100 Series

Motorized ELR Retrofit Kits



- Motorized latch retraction and dogging
- Eliminates costly replacement of existing device
- Available for over 30 major brands

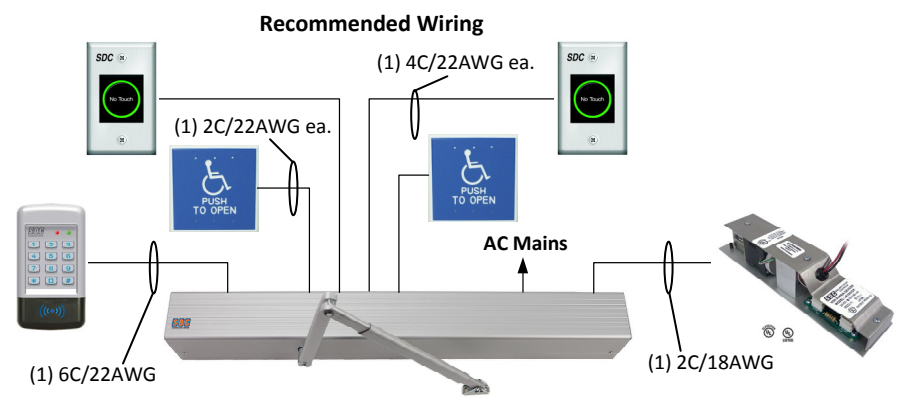
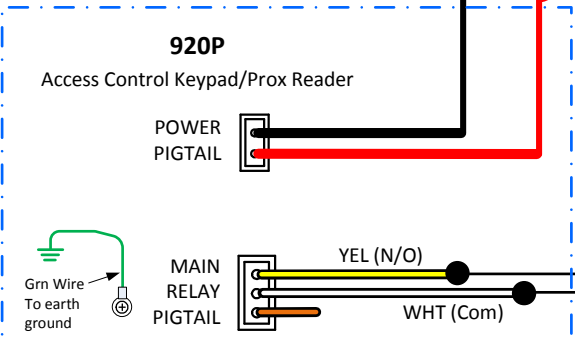
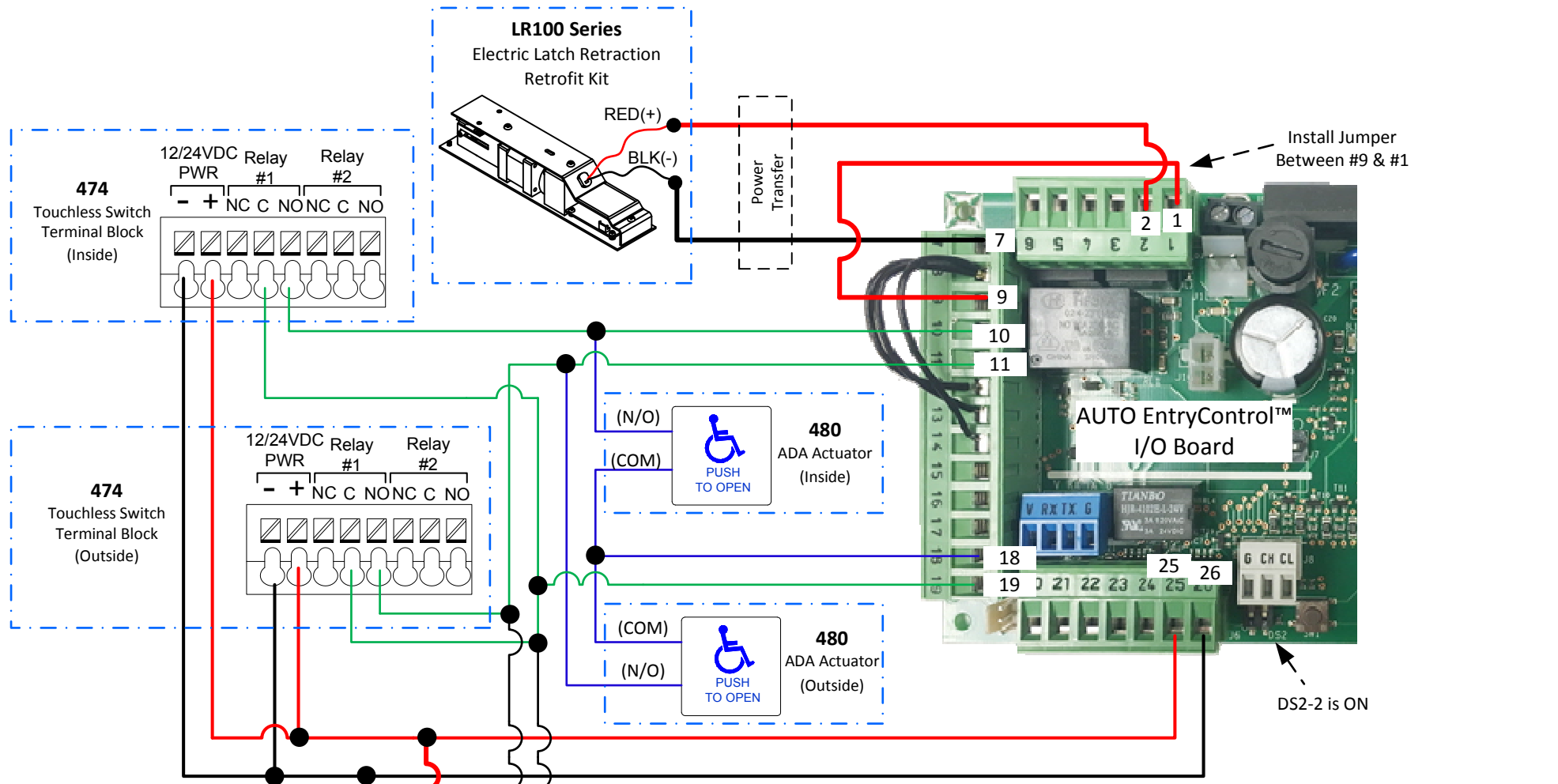
Requires power transfer device such as our PT-3




HANDS FREE DOOR SOLUTIONS™

- Hands Free convenience
- Hands Free code compliance
- Hands Free hygiene and contamination control

Even with national ANSI and ADA standards, building code enforcement relating to automatic door and switch placement varies across the country. Consult your local authority having jurisdiction (AHJ) for compliance requirements.



© 2020 Security Door Controls Printed in U.S.A

 Security Door Controls 801 Avenida Acaso Camarillo, CA 93012 f 805.494.0622 ~ f 805.494.8861 www.sdcsecurity.com	NOTE: ALL WIRING MUST BE REVIEWED AND APPROVED BY THE PROJECT ENGINEER ASSIGNED TO THE LOCATION FOR ITS CORRECTNESS AND SUITABILITY FOR THE APPLICATION IN WHICH THE EQUIPMENT IS INSTALLED AND OPERATED. ALL WIRING MUST CONFORM TO NATIONAL, STATE, AND LOCAL CODES FOR CLASS 2 FIRE PROTECTION AND CONTROL DEVICES.		PROJECT NAME: -		TITLE: Hands Free Door Solution – LR100		SO NO.: -		REV -	
	LOCATION: -	DIST.: -	CONTACT: -	DATE: -	DRAWN BY: -	DWG. NO.: XXXX				