

# S6300-101 Series

All-In-One Delayed Egress  
Mortise Exit Devices



SDC's S6300-101 series all-in-one devices integrate the S6300 series mortise exit device with SDC's innovative delayed egress electronics.

When unauthorized egress is initiated by depressing the push pad of the S6300-101, an audible alarm will sound and an irreversible delay period of 15 seconds will begin. After the delay period has expired, the device unlocks, permitting egress until the device is reset. In a life safety emergency, the device will immediately unlock upon loss of power or when powered by a fire control supervised power supply.

A choice of operation mode allows users to meet their local code compliance while meeting all national and regional building and fire life safety codes, including NFPA 101, Special Locking Arrangements. All SDC delayed egress locks release immediately in an emergency.



## MODELS

**S63** Mortise



## STANDARD FEATURES

- Panic and fire rated devices
- Subdued alternating alarm
- Push pad activation trigger
- Key switch reset and bypass\*
- Low power consumption, energy saver
- Wandering patient, patient and infant tracking system compatible
- Code compliant operation modes
- Voltage and current spike protection
- Field selectable automatic or manual reset
- Field selectable sustained or timed bypass
- Field reversible handing
- Single or multi-door zone control and reset
- Remote reset
- Fire/emergency release
- Anti-tailgate

\* Key cylinders not included, order separately.



## OPTIONAL FEATURES

- Request-to-exit (REX)
- Latch status (LS)
- Electrified case, failsecure outside lever
- Electrified case, failsafe outside lever



## APPLICATIONS

Typically used on exit doors, when unauthorized egress is initiated in the locked mode, SDC's ExitCheck® locks delay egress through the door for 15 or 30 seconds. Meanwhile, the person exiting must wait while personnel or security respond. The door unlocks after 15 seconds have elapsed, permitting egress. A signal from the fire life safety system will release the lock for uninhibited egress in an emergency. 30 second delay available where approved.

### AUTO POWER-UP

When selected, regardless of the means of deactivation, relocking of the ExitCheck® occurs when power is restored and/or the fire life safety panel is reset.

### MANUAL POWER-UP

UBC, California Building Code (OSHPD) Compliant Reset

When selected, regardless of the means of deactivation, relocking of the ExitCheck® is by manual means only at the door. Only after power restoration and/or fire life safety panel reset, the door may be relocked by actuating the standard built-in key reset or optional wall mounted key switch, push switch or digital keypad located adjacent to the door.

### AIRPORT & PUBLIC FACILITY SECURITY & SAFETY

Control pedestrian traffic in government, public and transportation facilities, including airport jetways and tarmacs.

### LOSS PREVENTION

Provide theft protection of retail merchandise, technology and other valuables, such as art and museum artifacts.

### ACCESS CONTROL

Access controls may be utilized for authorized egress, access and lock reset. Access from the exterior of latching doors requires an additional means of mechanical lock release, such as a mechanical key or electric strike.

### WANDERING PATIENT AND INFANT PROTECTION



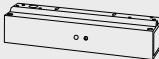
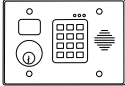
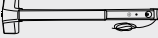
Restrict the egress of psychiatric and drug rehab patients, elderly patients in assisted living facilities and restrict the movement of nursery infants for their own safety and security.

### PATIENT & INFANT TRACKING SYSTEMS

The SDC ExitCheck® is compatible with patient tracking systems like those used for protection against infant abduction from hospital nurseries and for the protection of patients in long term care facilities who may be endangered if they leave their care facility without supervision.



## CROSS REFERENCE

Series	1511S	1511T	1581S	101-DE	S6000-101
					
<b>Type</b>	EMLock, 1650lbs	EMLock, 1650lbs	EMLock, 650lbs	Controller	Exit Device
<b>DE System</b>	Integrated	Integrated	Integrated	Two-Piece	Integrated
<b>DE Activation</b>	Built-In	Built-In	Built-In	Slave Unit	Built-In
	<a href="#">CLICK TO VIEW</a>	<a href="#">CLICK TO VIEW</a>	<a href="#">CLICK TO VIEW</a>	<a href="#">CLICK TO VIEW</a>	



# SPECIFICATIONS

## S63

<b>Device Type</b>	Mortise
<b>Door Width</b>	36", 42", 48"
<b>Door Height</b>	-----
<b>Door Thickness</b>	1¾" - 2"
<b>Handing</b>	Field Reversible
<b>Headcover</b>	Stainless Steel
<b>Rail</b>	Stainless Steel
<b>End Cap</b>	Stainless Steel
<b>Projection</b>	3⅛" Neutral 2⅝" Depressed
<b>Lock Case</b>	6¼" x 3⅛" x 2⅝" Steel Plated
<b>Latchbolt</b>	¾" Throw, Anti-Friction Stainless Steel
<b>Auxiliary Deadlock Bolt</b>	Non-Handed, Stainless Steel
<b>Vertical Rods</b>	-----
<b>Strike</b>	ANSI 4⅞"
<b>Weight</b>	13 lbs
<b>Input</b>	24 VDC ± 10%
<b>Current Draw</b>	540 mA (Max)
<b>Alarm &amp; Lock Secure Outputs</b>	SPDT 1 Amp @ 30 VDC Resistive
<b>Request-To-Exit (REX)</b>	SPDT
<b>Latch Status (LS)</b>	250 mA @ 30 VDC Resistive
<b>Electrified Case</b>	(MS & MF - Options)
<b>Failsecure / Failsafe Outside Lever</b>	12/24 VDC ± 10%, Auto-Sensing 600 mA @ 12 VDC, 300 mA @ 24 VDC

OPERATION MODES	ND	NH	NC	BD	BH	BC
<b>NFPA 101 Compliant</b>	Yes	Yes	Yes	-----	-----	-----
<b>NFPA1-UFC Compliant</b>	Yes	Yes	Yes	-----	-----	-----
<b>UBC Compliant</b>	Yes	Yes	Yes	-----	-----	-----
<b>IBC Compliant</b>	Yes	Yes	Yes	-----	-----	-----
<b>IFC Compliant</b>	Yes	Yes	Yes	-----	-----	-----
<b>SBC Compliant</b>	Yes	Yes	Yes	-----	-----	-----
<b>CBC Compliant</b>	-----	-----	Yes	-----	-----	-----
<b>BOCA Compliant</b>	-----	-----	-----	Yes	Yes	Yes
<b>Chicago Compliant</b>	-----	-----	-----	-----	-----	Yes
<b>Egress Delay</b>	Fixed 15 sec	Fixed 30 sec	Fixed 15 sec	Fixed 15 sec	Fixed 30 sec	Fixed 15 sec
<b>Nuisance Time</b>	Selectable 1 or 2 sec	Selectable 1 or 2 sec	Selectable 1 or 2 sec	Selectable 1 or 2 sec	Selectable 1 or 2 sec	Fixed 0 sec
<b>Reset After Alarm</b>	Manual	Manual	Manual	Auto/Manual	Auto/Manual	Auto/Manual
<b>Lock On Power Up</b>	Selectable Locked or Unlocked	Selectable Locked or Unlocked	Fixed Unlocked	Selectable Locked or Unlocked	Selectable Locked or Unlocked	Selectable Locked or Unlocked



## CERTIFICATIONS

UL 305 Panic Hardware

UL 10C Positive Pressure Fire Tests



## HOW TO ORDER

## FOLLOW STEPS FOR ORDERING

Designates optional step

### 1| SPECIFY MODEL

**S63** Mortise

### 2| SPECIFY TRIM FUNCTION

**03** Key Retracts Latchbolt (Nightlatch)

### 3| SPECIFY RATING

**P** Panic Device

**F** Fire-Rated Device

### 4| SPECIFY HAND

**RR** Right Hand Reverse Bevel (RHRB)

**LR** Left Hand Reverse Bevel (LHRB)

### 5| SPECIFY FINISH

**U** 630 Dull Stainless

### 6| SPECIFY LENGTH

**36** 36" Door Opening

**42** 42" Door Opening

**48** 48" Door Opening

### 7| SPECIFY OPTIONS

**R** Request-To-Exit (REX)

**L** Latch Status (LS)

### 8| SPECIFY ELECTRIFICATION

**101** All-In-One Delayed Egress

### 9| SPECIFY MODE\*

**ND** NFPA 101, Fixed 15 Second Egress Delay

**NH** NFPA 101, Fixed 30 Second Egress Delay

**NC** CBC Compliant

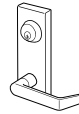
**BD** BOCA, Fixed 15 Second Egress Delay

**BH** BOCA Fixed 30 Second Egress Delay

**BC** Chicago Compliant

\* See specifications operation modes chart for complete functionality and compliance details.

### 10| SPECIFY TRIM\*



**EE**  
Eclipse  
Escutcheon



**GE**  
Galaxy  
Escutcheon

\* Key cylinder not included, order separately.

### 11| SPECIFY TRIM OPTIONS

**MS** Electrified Case, Failsecure Outside Lever

**MF** Electrified Case, Failsafe Outside Lever

STEP NUMBER:

1

2

3

4

5

6

7

8

9

10

11

ORDERING EXAMPLE:

**S63**

**03**

**P**

**RR**

**U**

**36**

**R**

**101**

**ND**

**EE**

**MF**



## RELATED PRODUCTS

### COMPATIBLE KEY CYLINDERS

**CYL-6KAQ** Mortise Cylinder, 6-Pin, Keyed Alike

**CYL-6KDQ** Mortise Cylinder, 6-Pin, Keyed Different



### RETROFIT STRIKES

**ST58P** Retrofit Strike for 5/8" Centerline Offset

**ST58F** Retrofit Strike for 5/8" Centerline Offset, Fire-Rated