

S6000-DES Series

Slave Delayed Egress
Rim & Vertical Rod Exit Devices



SDC's S6000-DES series slave operating exit devices secure the door in a delayed egress system. Depressing the push pad activates the trigger input of either a 101-DE series delayed egress controller or a S6000-101 series all-in-one delayed egress exit device, initiating the 15 or 30 second unlock cycle.

Slave operating delayed egress exit device models are available for both panic and fire-rated applications.

Slave operating exit devices do not function on their own. **S6000-DES series devices must be ordered with a 101-DE series delayed egress controller or a S6000-101 series all-in-one delayed egress device.**

MODELS

S61 Rim

S62 Surface Vertical Rod (SVR)

STANDARD FEATURES

- Panic and fire rated devices
- ExitCheck® slave operation
- Push pad activation trigger
- Low power consumption, energy saver
- Voltage and current spike protection

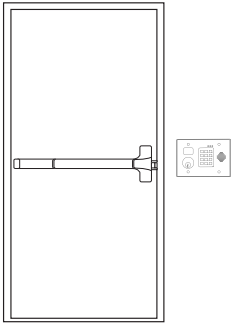
OPTIONAL FEATURES

- Request-to-exit (REX)
- Latch status (LS)
- Less bottom rod*
- Trim options

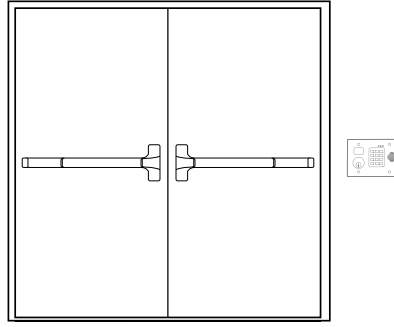
* Available for S62 surface vertical rod devices only.



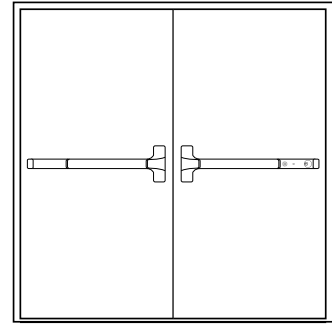
APPLICATIONS



Single Door
Slave to 101-DE Series Controller



Pair of Doors
Slave to 101-DE Series Controller



Pair of Doors
Slave to S6000-101 Series All-In-One Device

SPECIFICATIONS

	S61	S62*
Device Type	Rim	Surface Vertical Rod (SVR)
Door Width	36", 42", 48"	36", 42", 48"
Door Height	-----	7'0"
Door Thickness	1¾" - 2"	1¾" - 2"
Door Stile	Wide (4" Minimum)	Wide (4" Minimum)
Handing	Non-Handed	Non-Handed
Headcover	Stainless Steel	Stainless Steel
Rail	Stainless Steel	Stainless Steel
End Cap	Stainless Steel	Stainless Steel
Projection	3⅛" Neutral 2⅝" Depressed	3⅛" Neutral 2⅝" Depressed
Latch	¾" Throw Stainless Steel	¾" Throw (Top & Bottom) Stainless Steel (Top & Bottom)
Deadlatch	⅝" Throw, Stainless Steel	-----
Strike	Aluminum	Aluminum
Vertical Rods	-----	Aluminum
Weight	13 lbs	15 lbs
Input	24 VDC ± 10%	24 VDC ± 10%
Current Draw	250 mA (Max)	250 mA (Max)
Request-To-Exit (REX)	SPDT	SPDT
Latch Status (LS)	250 mA @ 30 VDC Resistive	250 mA @ 30 VDC Resistive

* For increased security, use of vertical rod covers is recommended.

CERTIFICATIONS

- UL 294 Access Control System Units
- UL 305 Panic Hardware
- UL 10C Positive Pressure Fire Tests

HOW TO ORDER

FOLLOW STEPS FOR ORDERING

 Designates optional step


1| SPECIFY MODEL

- S61** Rim
- S62** Surface Vertical Rod (SVR)

2| SPECIFY TRIM FUNCTION

- 01** Exit Only (No Trim)
- 02** Dummy Trim (No Cylinder Prep)
- 03** Key Retracts Latchbolt (Nightlatch)


3| SPECIFY RATING

- P** Panic Device 
- F** Fire-Rated Device

4| SPECIFY FINISH

- U** 630 Dull Stainless 

5| SPECIFY LENGTH

- 36** 36" Door Opening 
- 42** 42" Door Opening
- 48** 48" Door Opening

6| SPECIFY OPTIONS

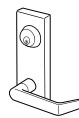
- R** Request-To-Exit (REX)
- L** Latch Status (LS)
- LBR*** Less Bottom Rod, Panic
- LBRF*** Less Bottom Rod, Fire-Rated

* Available for S62 surface vertical rod devices only.

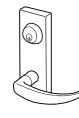
7| SPECIFY ELECTRIFICATION

- DES** Delayed Egress Slave

8| SPECIFY TRIM*



EK**
Eclipse
Escutcheon



GK**
Galaxy
Escutcheon



SP***
Saturn
Escutcheon



EKE***
Electrified
Eclipse
Escutcheon



GKE***
Electrified
Galaxy
Escutcheon

* Key cylinder not included, order separately.

** Available for 02 and 03 functions only.

*** Available 03 functions only.

STEP NUMBER:	1	2	3	4	5	6	7	8
ORDERING EXAMPLE:	S61	03	P	U	36	R	DES	EK

RELATED PRODUCTS

REPLACEMENT TRIM

SDC exit device trim is stainless steel. Key cylinders are not included, order separately.

EK02U Eclipse Escutcheon, Dummy, 630

EK03U* Eclipse Escutcheon, Nightlatch, 630

EKE03U* Eclipse Escutcheon, Electrified, Nightlatch, 630

EK03ULS* Eclipse Escutcheon, Electrified, Nightlatch, LS, 630



GK02U Galaxy Escutcheon, Dummy, 630

GK03U* Galaxy Escutcheon, Nightlatch, 630

GKE03U* Galaxy Escutcheon, Electrified, Nightlatch, 630

GK03ULS* Galaxy Escutcheon, Electrified, Nightlatch, LS, 630



SP02U Saturn Escutcheon, Dummy, 630

SP03U* Saturn Escutcheon, Nightlatch, 630

* Key cylinder not included, order separately.



COMPATIBLE KEY CYLINDERS

CYL-6KAQ Mortise Cylinder, 6-Pin, Keyed Alike

CYL-6KDQ Mortise Cylinder, 6-Pin, Keyed Different

RIM-CYL-KA* Rim Cylinder, 6-Pin, Keyed Alike

* For EK03U, GK03U and SP03U trim only.



REPLACEMENT STRIKES

ST1P Rim Strike, 1 $\frac{3}{16}$ " Projection

ST1F Rim Strike, 1 $\frac{3}{16}$ " Projection, Fire-Rated

ST2DF Double Door Rim Strike, 1 $\frac{3}{16}$ " Projection

ST2P Vertical Rod Top Strike, 2 $\frac{9}{32}$ " Projection

ST2F Vertical Rod Top Strike, 1 $\frac{1}{8}$ " Projection, Fire-Rated

ST28T Threshold Strike, 3 $\frac{3}{8}$ " Projection



REMOVABLE MULLION

KR90F* Removable Mullion, 11 Gauge Steel, 8' x 2" x 2"

ST1MP Mullion Strike, 7 $\frac{1}{8}$ " Projection

ST1MF Mullion Strike, 7 $\frac{1}{8}$ " Projection, Fire-Rated



* Key cylinder not included, order separately.