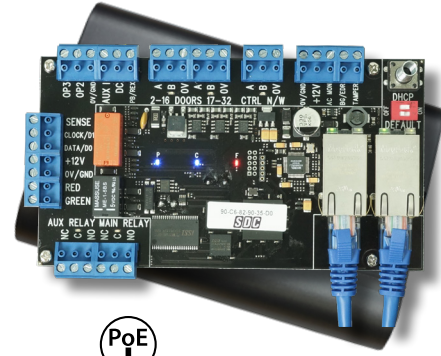


SDC IPPro®

IPD Series

IP-Based Access Controllers

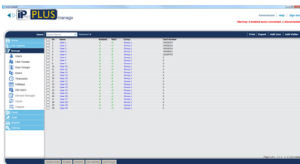
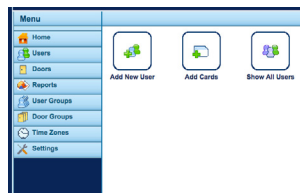


Now with two Ethernet Ports

Bring safe, secure, easy to implement door access control to the Network's edge without the headaches of costlier, more complicated enterprise solutions. IPPro® single door access controllers come with two ethernet ports for interfacing with an additional IP device. They allow expansion from one standalone door up to a 100-door "grid." The additional ethernet port allows IT departments to save a port when connecting an extra door at the server. Installers can eliminate a long cable run when connecting an additional IP device. Every IPPro® controller comes with secure, built-in software to manage up to 32 doors from any standard web browser to allow for real-time monitoring, user management and audit trail up to 5,000 events. Or, download our FREE PLUS PC-Client software to control up to 100 doors from a single PC. IPPro® PLUS is a role-based access control software suite with different interface modules.



Designed for ease of use, the IPPro embedded web server allows for real-time monitoring and user management via a web browser.



Or download the free PLUS software and run your system through a single PC.



MODELS

IPDCE IPPro Controller Board

IPDSE IPPro Door Station Expansion Board



STANDARD FEATURES

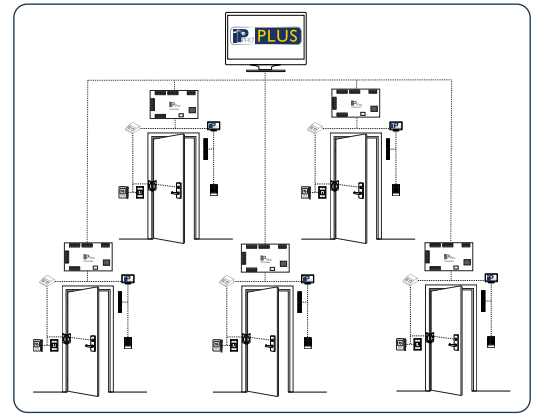
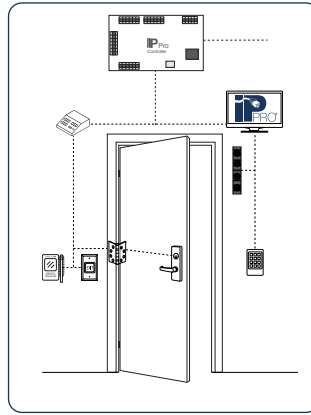
- Controls one door directly, with unlimited expansion capabilities
- TCP/IP communications (100/10Mbps)
- DHCP or Static IP addresses
- Password protected built-in web server or FREE downloadable 'Grid' software
- Two ethernet ports
- Live transaction monitoring
- Entry/exit wiegand reader capability
- Reader short circuit protection
- Compliant with PoE+ standard
- 60,000 users (up to 2 credentials/ user)
- Multiple credential modes & batch card enrollment
- 250 time zones & 1,000 user/door groups
- Holiday support, scheduled events & temporary users
- Audit Trail – up to 5,000 events from on-board storage, unlimited events w/ PLUS
- Visual status indicators (LED)
- Anti-tailgating & anti-passback
- Supports Explorer, Firefox & Chrome
- Door position status (DPS)
- Request-to-exit (REX)
- Programmable auxiliary input
- Lock relay & auxiliary relay outputs
- Two programmable solid-state Outputs
- Anti-tamper input
- Database backup support
- Enclosure included



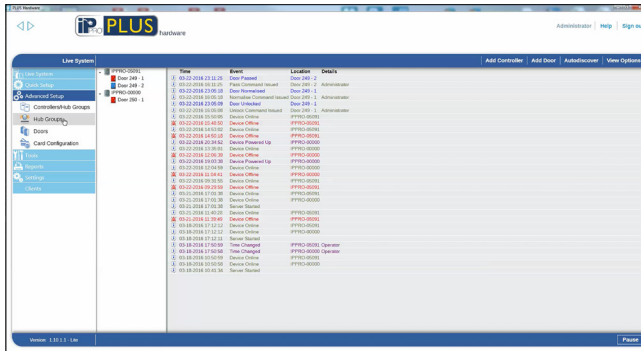
APPLICATIONS

The addition of a second ethernet port allows the IT department to save a port when connecting an additional door at the server. Installers have the potential to eliminate a long cable run to connect an additional IP device.

It's like having a local area network for your doors without all the headaches of an enterprise system.

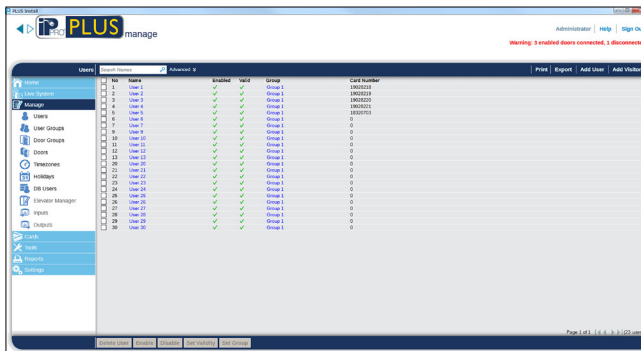


Our new PLUS PC-Client software is available as a free download to provide door access control for up to 100 doors from a single PC. PLUS is a role-based access control software suite with different interface modules, depending on user type.



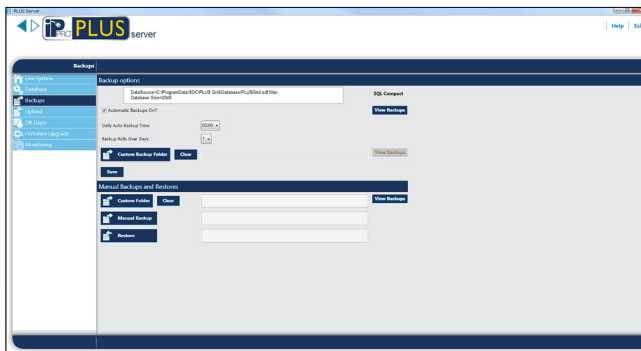
PLUS Hardware is used by the installer to set up controllers, doors and user profiles.

- Enable and edit IPPro controllers
- Enable and edit door settings
- Create event filters
- Enable email notifications



PLUS Manage is used by system administrators to facilitate database changes required on a day-to-day basis, and offers various reporting tools.

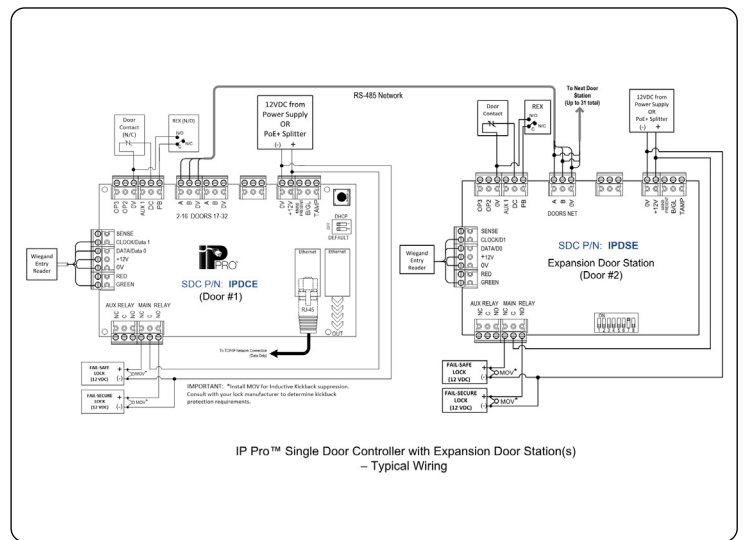
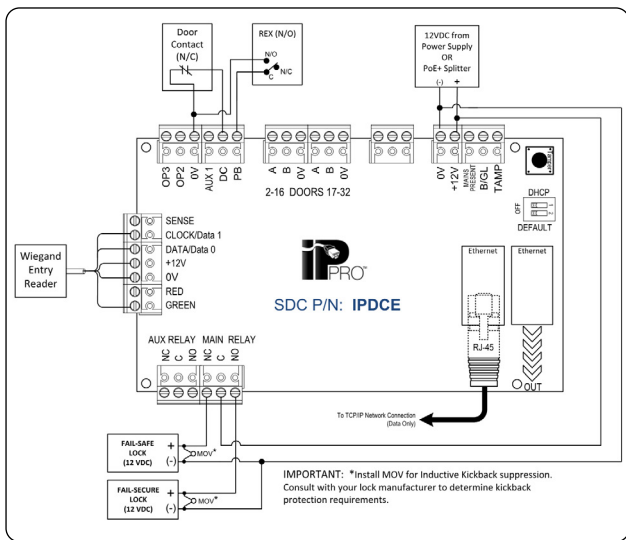
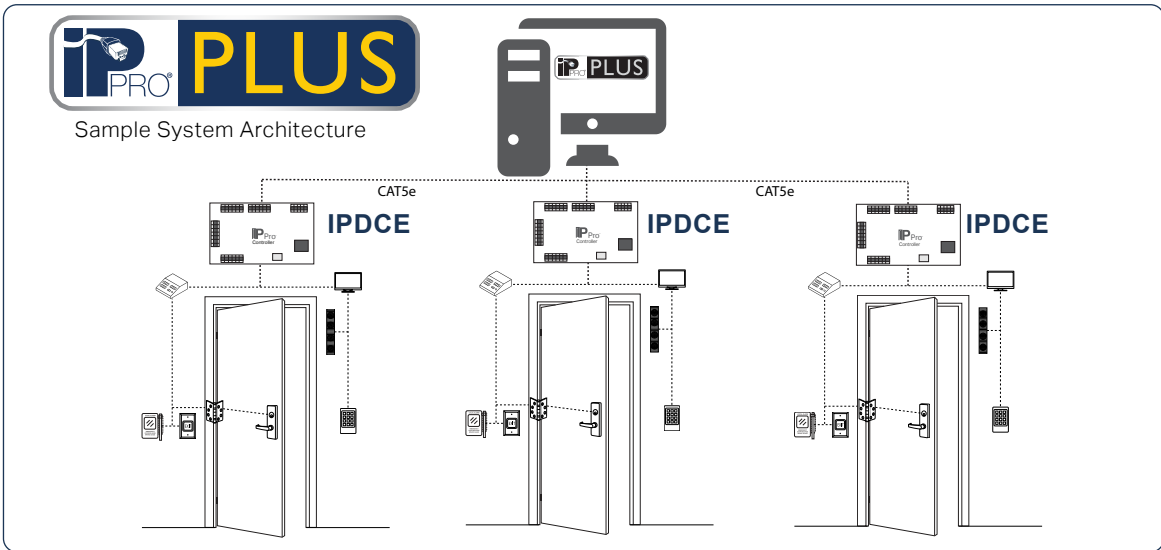
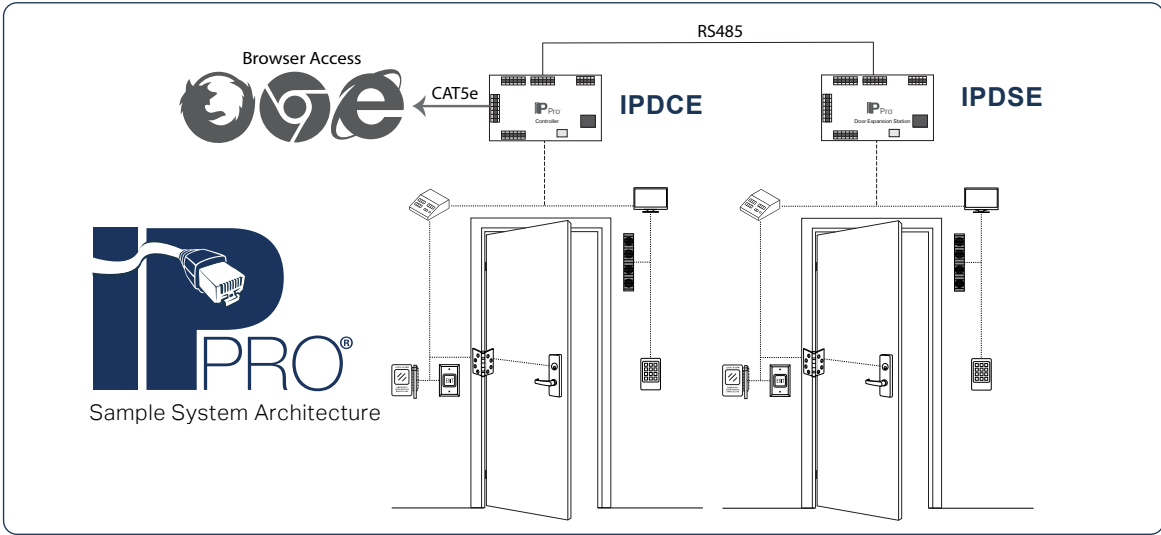
- Create, view, and edit users
- Add access and holiday schedules
- Generate user and event reports



PLUS Server is used by system administrators to perform specialized tasks, such as database backups, firmware updates, importing/exporting users.

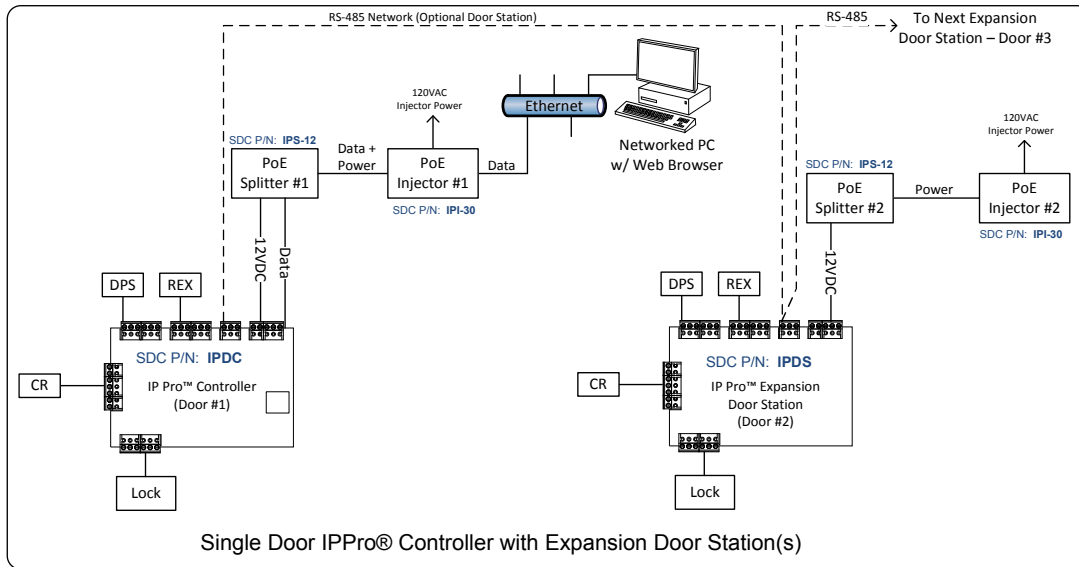
- Perform manual or schedule automatic backups
- Import/export users
- Perform IPPro firmware updates

Live system events can be monitored from either module!



Visit <http://sdccsecurity.com/ippro.htm> to download Systems Operation and Point-to-Point Wire Diagram for common single door low energy applications.

	IPDCE	IPDSE
Type	IPPro Controller Board	IPPro Door Station Expansion Board
Input	12 VDC	12 VDC
Current Draw (Max)	350 mA @ 12 VDC	120 mA @ 12 VDC
Operating Environment	14°F – 122°F (Indoor Use Only)	14°F – 122°F (Indoor Use Only)
Dimensions	6" x 3½" x 7/8" (Board) 9¼" x 6½" x 2¾/16" (Enclosure)	6" x 3½" x 7/8" (Board) 9¼" x 6½" x 2¾/16" (Enclosure)
Weight	1 lb	1 lb
Relay Output Type	SPDT (2)	SPDT (2)
Relay Contact Rating	5 Amp @ 30 VDC Resistive (Main - Lock) 1 Amp @ 30 VDC Resistive (Auxiliary)	5 Amp @ 30 VDC Resistive (Main - Lock) 1 Amp @ 30 VDC Resistive (Auxiliary)
Connections	Digital Inputs: 4 dry contact inputs Ethernet: RJ45 (Controller only) RS-485 Terminal Bus Reader Power – 12VDC (Up to 500 mA) Reader Data – Wiegand (26bit to 37bit) Reader LED Control – Red & Green Two Solid State outputs (100mA max)	Digital Inputs: 4 dry contact inputs RS-485 Terminal Bus Reader Power – 12VDC (Up to 500 mA) Reader Data – Wiegand (26bit to 37bit) Reader LED Control – Red & Green Two Solid State outputs (100mA max)



	IPS-12	IPI-30
Type	IPPro Splitter	IPPro Injector
Input Voltage	44-57 VDC	120 VAC
Input Power	30 Watts (Max)	80 Watts (Max)
Output Voltage	-----	55 VDC
Output Power	24 Watts (Max)	-----
Output Current	2 Amps @ 12 VDC	-----
User Port Power	-----	30 Watts (Guaranteed)
PoE+ Output Pin Assignment and Polarity	-----	4/5 (+), 7/8 (-)
Weight	1 lb	1 lb

CERTIFICATIONS

UL 294 Access Control System Units

HOW TO ORDER

FOLLOW STEPS FOR ORDERING

 Designates optional step

1| SPECIFY MODEL

IPDCE IPPro Controller Board with Enclosure

IPDSE IPPro Door Station Expansion Board with Enclosure

STEP NUMBER: 1

ORDERING EXAMPLE: **IPDCE**

RELATED PRODUCTS

IPPro KITS

IPPRO-SKE IPPro Starter Kit

(IPDCE, IPI-30 and IPS-12 included)

602RF12VRIPDC IPPro Power Kit

(1 Amp Power Supply with Cabinet, Voltage Power Converter and IPDC included)

602RF12VRIPDS IPPro Expansion Power Kit

(1 Amp Power Supply with Cabinet, Voltage Power Converter and IPDS included)

WIEGAND READERS & DIGITAL KEYPADS

IPRW300 Weigand Reader, Mullion Mount

IPRW500 Weigand Reader, Single Gang Mount

918WU Indoor Keypad, Weigand Output

920PW Keypad with Integrated Proximity Reader, Weigand Output

923PW Narrow Keypad with Integrated Proximity Reader, Weigand Output

POWER INJECTORS & SPLITTERS

IPI-30 IPPro Injector, 30W PoE+

IPS-12 IPPro Splitter, 12VDC PoE+



PROX CARDS, FOBS & TAGS

HID1326-25 Proximity Card Pack, HID Compatible, Quantity 25

HID1326-100 Proximity Card Pack, HID Compatible, Quantity 100

HID1346-10 Proximity Key Fob Pack, HID Compatible, Quantity 10

HID1346-100 Proximity Key Fob Pack, HID Compatible, Quantity 100

PTAG-10 Proximity Disc Tag Pack, HID Compatible, Quantity 10

PTAG-25 Proximity Disc Tag Pack, HID Compatible, Quantity 25

