

E300

Electromagnetic Cabinet Locks



Eliminate keys and expand the reach of access control systems to drawers, cabinets and lockers – any critical use - where the application of a compact, specialized electromagnetic lock provides a higher level of security. **SDC's E300 micro electromagnetic cabinet locks** provide a connected access control solution that is virtually maintenance free and has a lock status output for remote monitoring and system application needs.

The compact size allows easy installation in small cabinets or restricted areas. No special tools are required.



MODELS

E300 Single Magnetic Cabinet Lock, 300lbs



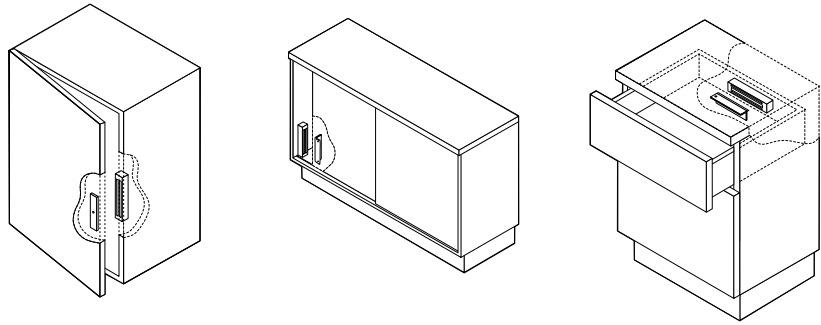
STANDARD FEATURES

- Wire access chamber with terminal block
- Interlocking quick mount assembly
- Field selectable dual voltage
- Voltage and current spike protection
- Captive lock mounting screws
- Self-drilling and tapping sheet metal screws
- Bond alert status (BAS)



APPLICATIONS

- Cabinets
- Drawers
- Machine equipment housings
- Display cases
- Gun safes
- Package pass through doors
- Dark rooms



SPECIFICATIONS

E300

Housing	Aluminum
Finish	628 Dull Aluminum
Holding Force	300 lbs
Dimensions	7" x 1 $\frac{1}{8}$ " x 7 $\frac{1}{8}$ " Housing 5 $\frac{1}{8}$ " x 1 $\frac{1}{4}$ " x 9 $\frac{1}{8}$ " Armature
Weight	2.5 lbs
Input	12/24 VDC \pm 10% Field Selectable
Current Draw	180 mA @ 24 VDC 360 mA @ 12 VDC
Bond Alert Status (BAS)	SPDT 250 mA @ 30 VDC Resistive

CERTIFICATIONS

UL 864 Control Units and Accessories for Fire Alarm Systems

HOW TO ORDER

FOLLOW STEPS FOR ORDERING

 Designates optional step

1| SPECIFY MODEL

E300 Single Magnetic Cabinet Lock, 300lbs

STEP NUMBER: 1

ORDERING EXAMPLE: **E300**