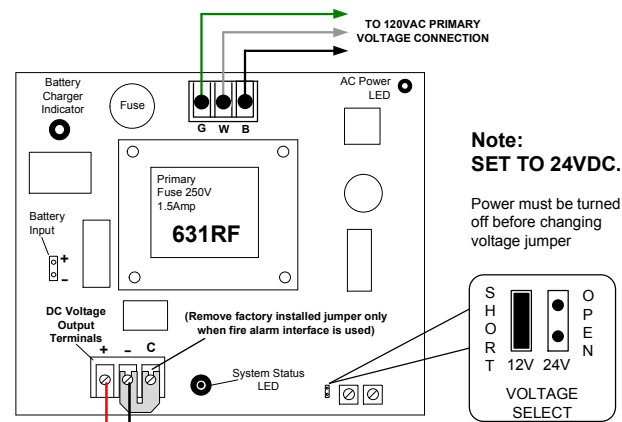
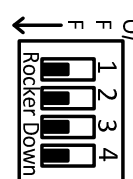


CBP-EM Series – System Components:

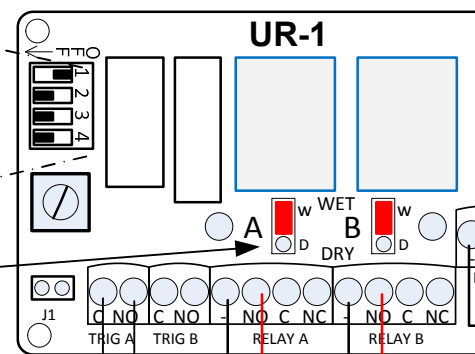
- (1) 631RFXUR1 – 1A Power Supply w/ Comm. Bath Controller
 - (1) CB401-A – Activation Button
 - (2) CB401-B – Emergency Release Button
- Choose an EMLock® Option:
- (2) 1581VD – 650lb EMLock® w/ DPS
 - OR
 - (2) 1571VD – 1200lb EMLock® w/ DPS
 - OR
 - (2) 1511VD – 1650lb EMLock® w/ DPS



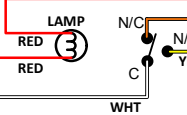
ROCKER SWITCH SETTINGS:
ALL SWITCHES OFF



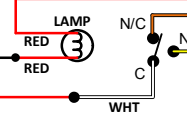
WET/DRY SELECTION JUMPERS:
Both "A" & "B" set to WET



CB401-B
(OUTSIDE DOOR 1)



CB401-B
(OUTSIDE DOOR 2)



CB401-A



Method of Operation:

Both doors are normally closed and unlocked.

System Activation:

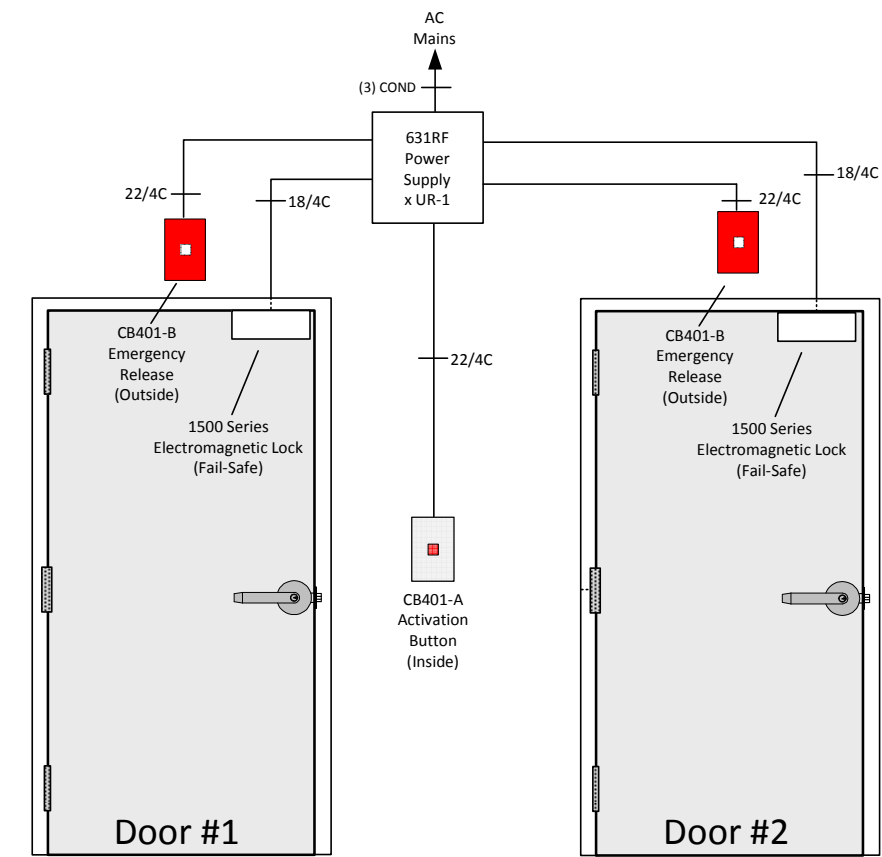
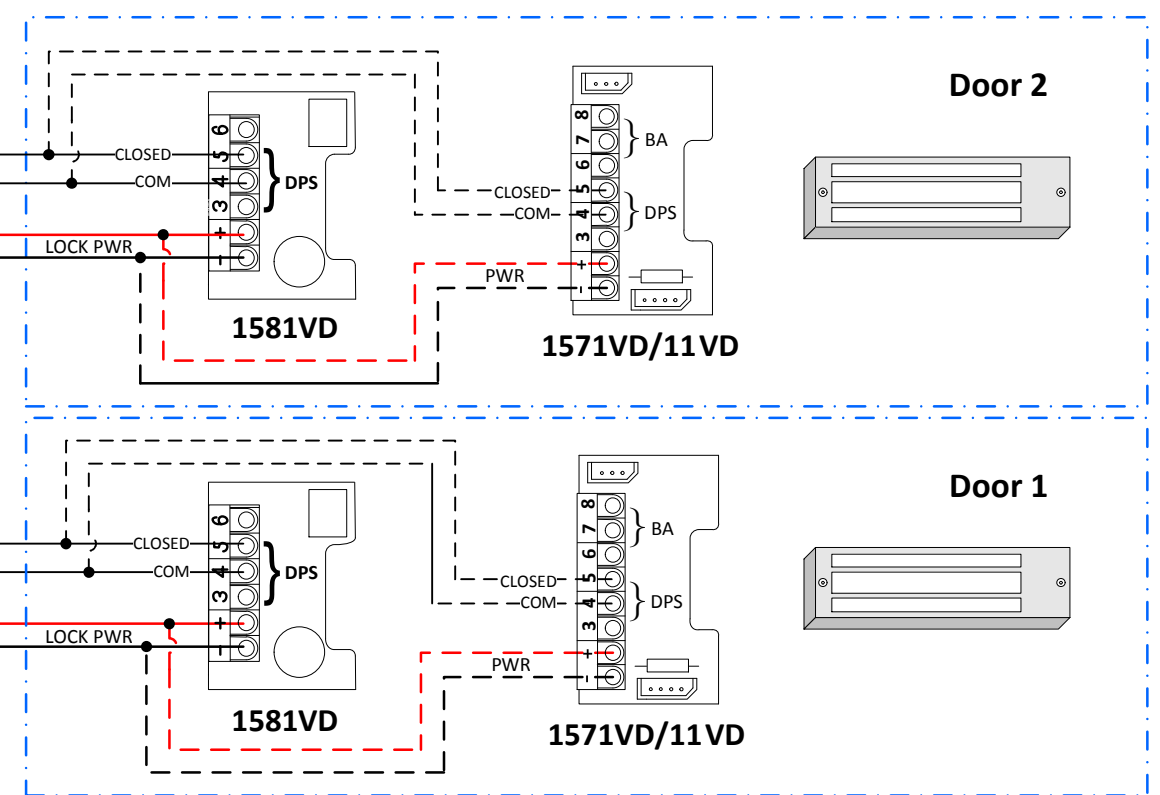
Upon entering the bathroom and closing both doors, pressing the Activation Button once will lock both doors and turn ON the indicator lamps on the Activation and Emergency Release Buttons indicating the system is active.

System Deactivation:

Pressing the Activation Button a second time will unlock both doors and turn off all button indicator lamps.

Emergency Override:

When the doors are locked, pressing either Emergency Release Button located outside each door will immediately unlock its respective door and turn OFF its indicator lamp. During an Emergency Override, pressing the same Emergency Release Button a second time will return the system to normal operation.



<p>Security Door Controls 801 Avenida Acaso Camarillo, CA 93012 f 805.494.0622 ~ f 805.494.8861 www.sdcsecurity.com</p>	<p>NOTE: ALL WIRING MUST BE REVIEWED AND APPROVED BY THE PROJECT ENGINEER ASSIGNED TO THE LOCATION FOR ITS CORRECTNESS AND SUITABILITY FOR THE APPLICATION IN THE WHICH THE EQUIPMENT IS INSTALLED AND OPERATED. ALL WIRING MUST CONFORM TO NATIONAL, STATE, AND LOCAL CODES FOR CLASS 2 FIRE PROTECTION AND CONTROL DEVICES.</p>	PROJECT NAME:	TITLE: 2-Door Communicating Bath System – Electromagnetic Lock Solution			SO NO.:	REV
		LOCATION: --	DIST.:	CONTACT: service@sdsecurity.com	DATE: 06/17	DRAWN BY: -	DWG. NO.: