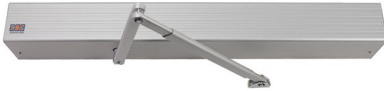


HANDS FREE DOOR SOLUTIONS™

ADA Compliant Electrified Exit Device Storefront Application

1 AUTO Series

Low Energy Swing Door Operators



- Easy, one-man installation
- Single button, self-tuning setup
- Built-in 1 Amp power supply
- Onboard lock sequence
- Hold open feature

2 470 Series

No Touch Switches



- WAVE-TO-OPEN
- IR sensing technology
- Wave activation

- Illuminated dual LED sensor (red/green)

3 480 Series

ADA Actuators



- PUSH-TO-OPEN plates
- Single or double gang

- Round and narrow options
- Recessed, surface, and bollard mounting

4 920P Series

Access Control Keypads



- Built-in prox reader available
- Indoor/outdoor use
- Surface or single gang mount
- Heavy cast vandal resistant housing

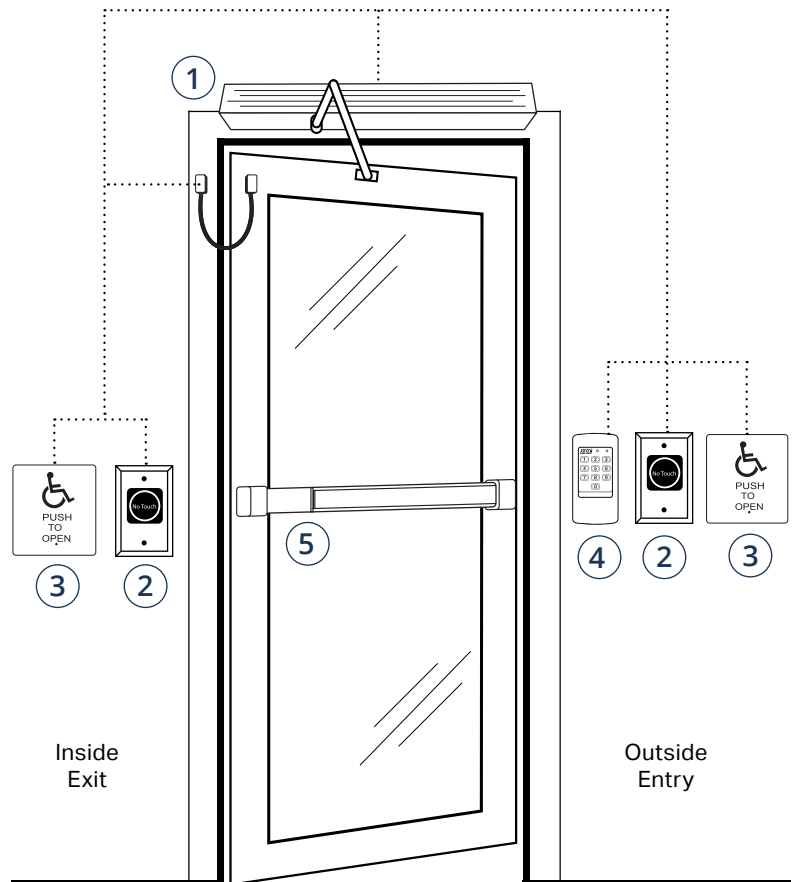
5 S5000 Series

Storefront Exit Devices



- Factory installed motorized electric latch retraction
- Request-to-exit (REX) monitoring optional
- Aluminum glass door applications

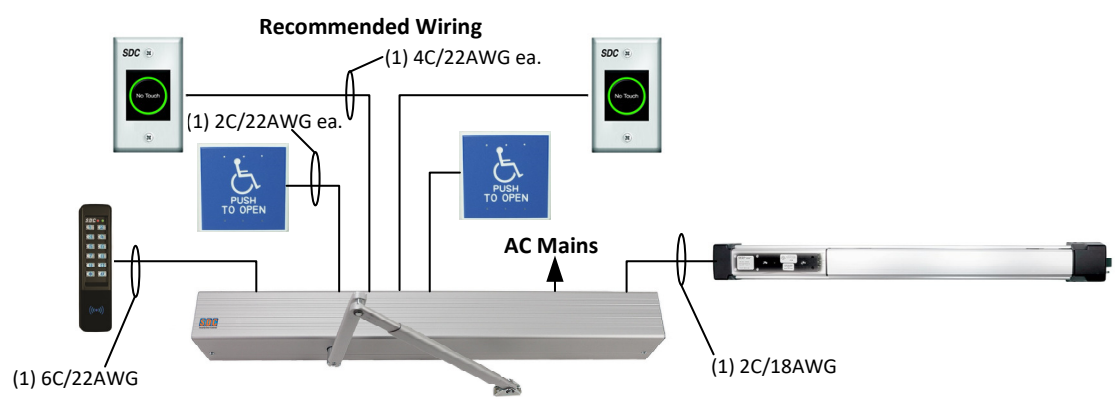
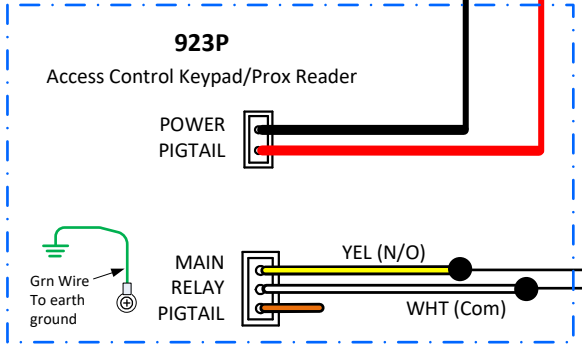
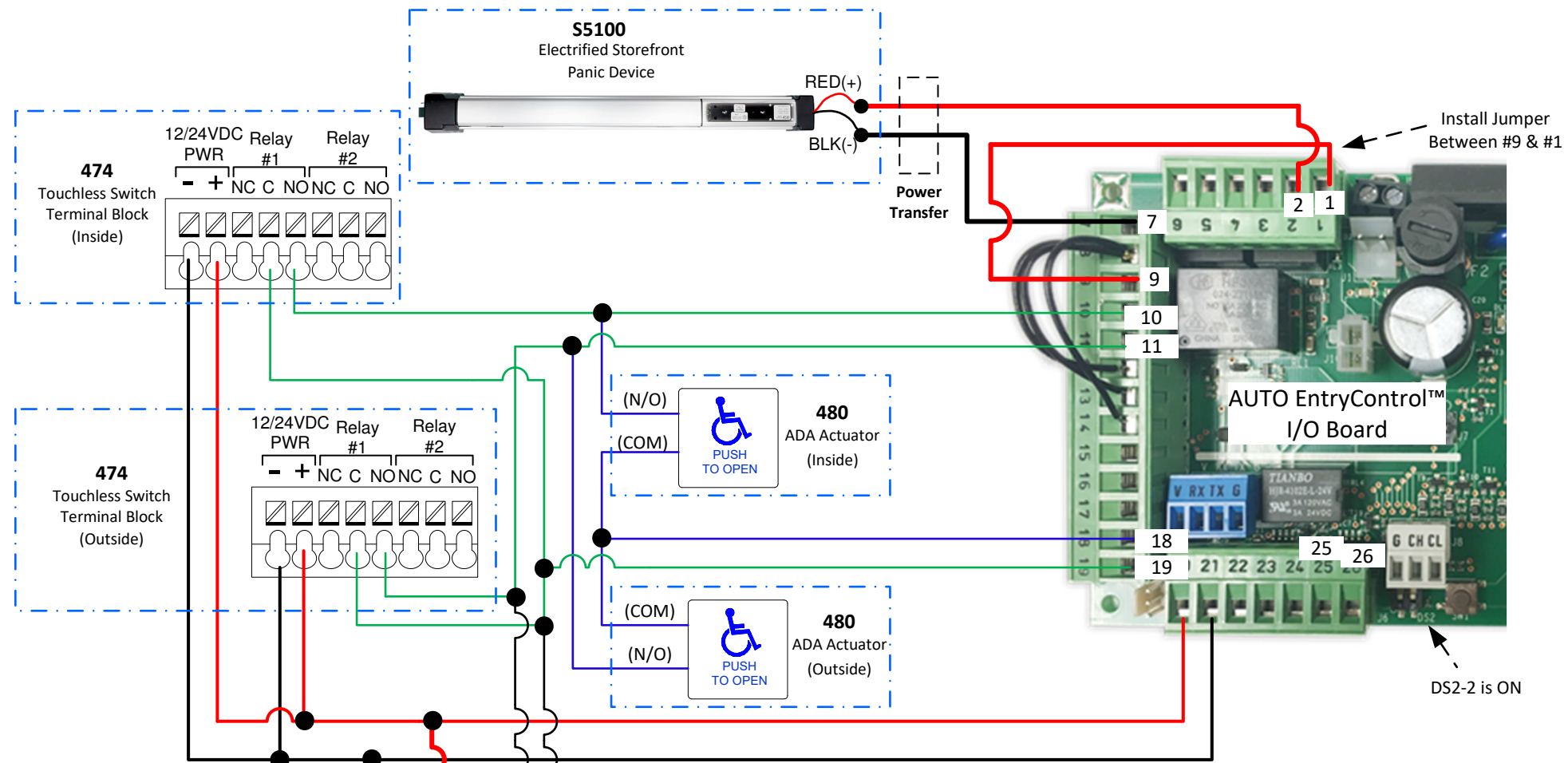
Requires power transfer device such as our PT-3.



HANDS FREE
DOOR
SOLUTIONS™

- Hands Free convenience
- Hands Free code compliance
- Hands Free hygiene and contamination control

Even with national ANSI and ADA standards, building code enforcement relating to automatic doors and switch placement varies across the country. Consult your local authority having jurisdiction (AHJ) for compliance requirements.



© 2020 Security Door Controls Printed in U.S.A

SDC Security Door Controls
 801 Avenida Acaso
 Camarillo, CA 93012
 † 805.494.0622 ~ † 805.494.8861
 www.sdcsecurity.com

NOTE: ALL WIRING MUST BE REVIEWED AND APPROVED BY THE PROJECT ENGINEER ASSIGNED TO THE LOCATION FOR ITS CORRECTNESS AND SUITABILITY FOR THE APPLICATION IN WHICH THE EQUIPMENT IS INSTALLED AND OPERATED. ALL WIRING MUST CONFORM TO NATIONAL, STATE, AND LOCAL CODES FOR CLASS 2 FIRE PROTECTION AND CONTROL DEVICES.

PROJECT NAME: -		TITLE: Hands Free Door Solution – S5100		SO NO.: -	REV -
LOCATION:. -	DIST.: -	CONTACT: -	DATE: --	DRAWN BY: -	DWG. NO.: XXXX